



cooking

## USAGE AND CARE GUIDE

PRODUCT CODE:  
EV90DFSX  
EV900DPSX



## RECORD HERE FOR EASY REFERENCE

Model.....Colour.....

Serial Number..... Installation Date.....

Dealer's Name and Address.....

## GENERAL INFORMATION

### ENVIRONMENTAL WARNING

#### Waste packaging

Do not throw the packaging of your appliance into the dustbin, but pick out the different materials (for instance foil, paperboard, polystyrene) according to the local rules for rubbish elimination.

This appliance must only be used for the purpose of domestic cooking. "DO NOT USE THIS APPLIANCE AS A SPACE HEATER" (refer to AS/NZS5263.1.1)

### Getting to know your new cooker

Thank you for choosing one of our products. Our cookers are of simple, rational design. They are constructed to the best standards to ensure good service and outstanding safety. Please read this manual carefully; it will provide all the advice needed to allow you to obtain the best results from the very first day.

#### ATTENTION:

This appliance must not be installed behind a decorative door in order to avoid overheating.

- Before using the appliance, do not forget to remove the plastic protective film from parts of the appliance.

• WARNING - Accessible parts will become hot when in use. To avoid burns and scalds children should be kept away.

- WARNING -

In order to prevent accidental tipping of the appliance, for example by a child climbing onto the open oven door, the stabilizing means must be installed.

- WARNING

This appliance is not intended for use by persons (including children) with reduced physical, sensory or mental capabilities, or lack of experience and knowledge, unless they have been given supervision or instruction concerning use of the appliance by a person responsible for their safety.

Children should be supervised to ensure that they do not play with the appliance.

Young children and infirm persons should not be left unsupervised in the vicinity.

- WARNING

Before you use the appliance for the first time, check that the plastic films protecting some parts (fascia panel, parts in stainless steel, etc.) have been removed.

- WARNING:

A steam cleaner is not to be used cleaning this appliances.

- WARNING

**DO NOT USE OR STORE FLAMMABLE MATERIALS IN THE APPLIANCE STORAGE DRAWER OR NEAR THIS APPLIANCE.**

**DO NOT SPRAY AEROSOLS IN THE VICINITY OF THIS APPLIANCE WHILE IT IS IN OPERATION.**

**WHERE THIS APPLIANCE IS INSTALLED IN MARINE CRAFT OR IN CARAVAN, IT SHALL NOT BE USED AS A SPACE HEATER**

**DO NOT MODIFY THIS APPLIANCE.**

## WHEN YOU CALL FOR SERVICE

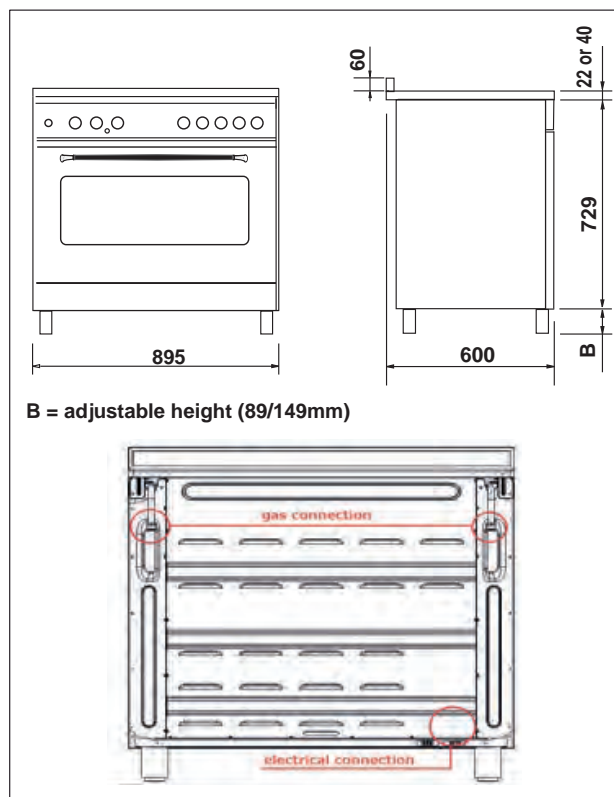
When you call for service or order parts for your unit, be sure to give:

1. MODEL
2. SERIAL NUMBER
3. COLOUR
4. PART NAME and/or description of problem
5. YOUR FULL NAME, ADDRESS, and HOME TELEPHONE NUMBER and BUSINESS TELEPHONE NUMBER IF APPROPRIATE.

Servicing shall be carried out only by authorised personnel.

SECTION FOR THE QUALIFIED TECHNICIAN

## OVERALL DIMENSIONS



## INSTALLATION

This appliance shall be installed only by authorised persons and in accordance with the manufacturer's installation instructions, local gas fitting regulations, municipal building codes, electrical wiring regulations, AS/NZS 5601 - Gas Installations and any other statutory regulations.

### PROVISION FOR VENTILATION

The room where the Cooker is installed should have permanent ventilation as follows:

"Ventilation must be in accordance with AS/NZS 5601 - Gas Installations. In general, the appliance should have adequate ventilation for complete combustion of gas, proper flueing and to maintain temperature of immediate surroundings within safe limits."

Do not install in a bed-sitting room, a bathroom or shower room.

If there is another fuel burning appliance in the same room, a higher level of ventilation will be required, you should consult

"the safety requirements".

In addition to the above, during prolonged use, opening a window in the same room is recommended. This will avoid the build up of excessive moisture and condensation.

### POSITIONING

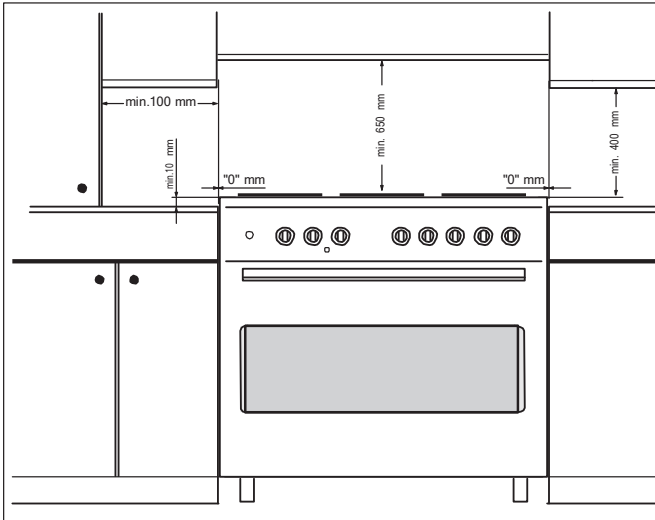
Important: Fix the chain located next to the gas connection on both sides of the cooker to the wall to prevent the cooker from

tilting. Both chains must be securely fixed.  
 Make sure that the wall surface behind the Cooker is non-combustible (will not catch fire).  
 Where a painted surface is adjacent, a fire retardent paint surface is recommended. Wallpaper, wood, or fabric should not be used behind or next to the cooker.

#### Clearances to combustible materials

"Any adjoining wall surface (side or rear) situated within 200mm of any hob burner must be a suitable non-combustible material from the edge for a height of 150mm for the entire length of the cooker.

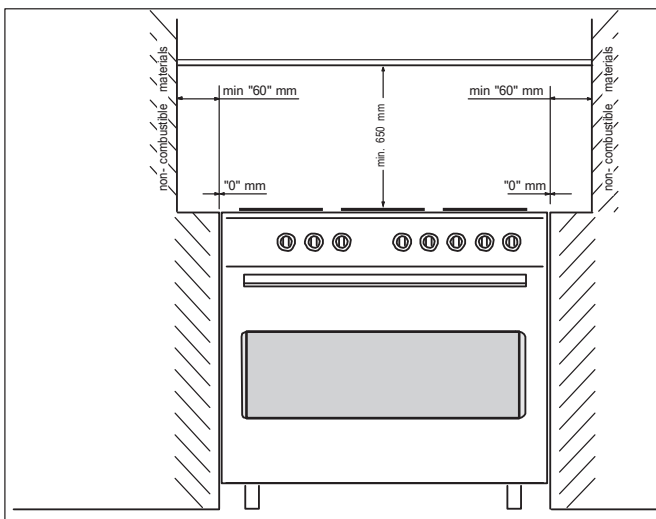
Any combustible construction above the cooker must be at least 650mm above the maintop." Ensure that a power and gas supply are nearby. The Cooker should be located carefully so that the heat produced by it has plenty of space to escape. The diagram below shows an ideal configuration.



No part of any adjoining wall surface can be made of combustible materials. The protection of combustible materials required by Clause 6.10.1.2 of AS/NZS 5601 is the fixing of 5 mm thick ceramic tiles to the surface or attaching fire resistant material to the surface and covering with sheet metal with a minimum thickness of 0.4 mm.

#### Clearances to non-combustible materials

"If the cooker is being fitted next to cupboards or adjoining wall surfaces, which are within 200mm from the edge of the hob burner and of a suitable non-combustible material as specified in AS/NZS 5601, then ensure that a distance of at least 6cm is left between the edge of the cooker and the non-combustible material. This gap is to allow plenty of space for the heat produced by the cooker to escape on each side of the cooker.



Note:  
 Fitting the adjustable feet ( Fig.1 ).

Beforehand:

- Remove all parts that are not permanently fixed, especially the pan supports and burners.
- Remove the accessories from the oven.

Proceed as follows:

- Tilt the appliance by raising one side slightly from the floor.
- With the plates in position, screw the adjustable feet into the mounting holes on the underneath of the appliance.
- Repeat the process on the other side.

You can make the final adjustments to the feet in order to level the appliance once the gas and electricity supply have been connected.

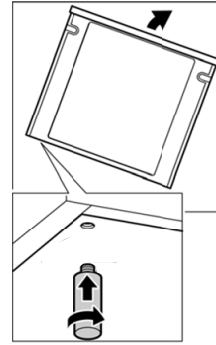


Fig. 1

If it is necessary to pull the appliance, screw the adjustable feet in fully. Make the final settings only when the other installation tasks have been completed.

**WARNING:** This appliance is not suitable to be installed on a base

#### TO FIX THE COOKER TO THE REAR WALL

**WARNING -** For safety reasons and to prevent tipping of the appliance, these stabilizing means must be installed.

The cooker is equipped with 2 chains fixed on each side at the rear of the cooker near the top (see Fig. A). The chains are fitted with "spring clips" which must be clipped to the "screw eyes".

Install the "screw eyes" as follows :

1. Drill four 6mm holes (position 1 - 2 - 3 - 4) in the wall as in Fig. A.
2. Insert part "R" into the holes then screw in the "screw eyes" part "G" see Fig. B.

Note: If the part provided is not suitable for the wall material please use an appropriate device to ensure secure holding of the "screw eyes" to the wall.

3. Bring the cooker near the wall and clip the chains on the "screw eyes" as in Fig. C.

**IMPORTANT:** If the cooker is moved for any reason (e.g. maintenance) resulting in the cooker being unclipped from the wall, the cooker must be re-clipped to the wall at the completion of the task.

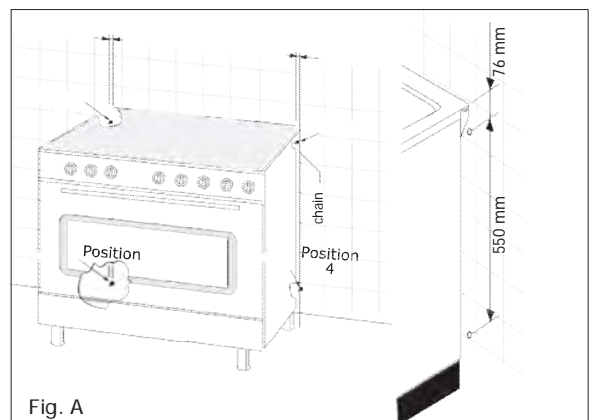


Fig. A

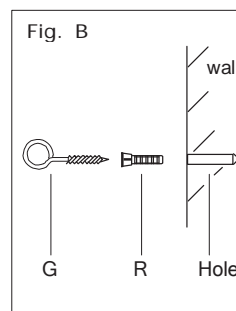


Fig. B

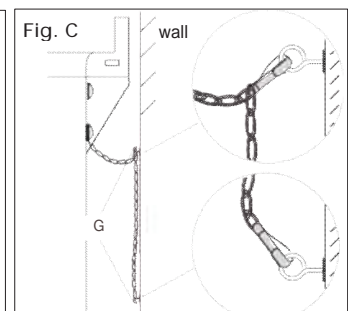
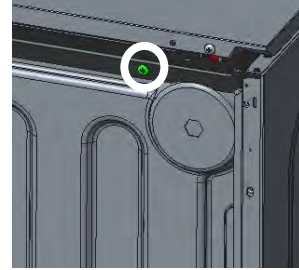
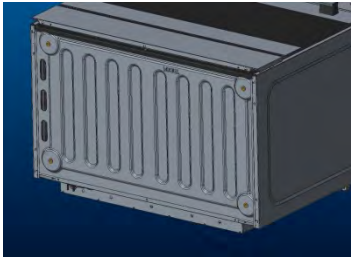


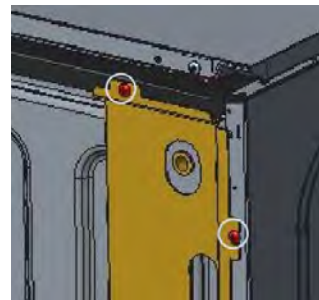
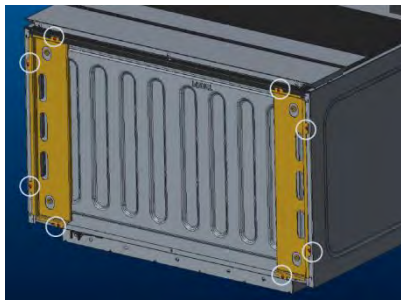
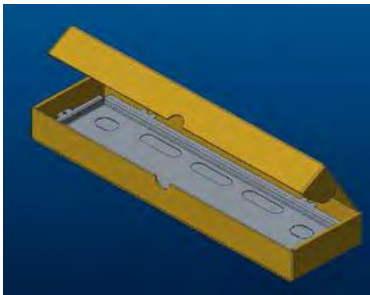
Fig. C

## Instruction assembly crossbar reinforced legs

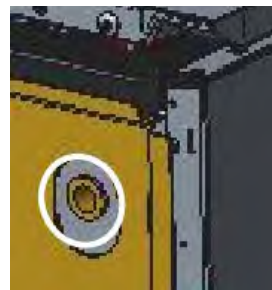
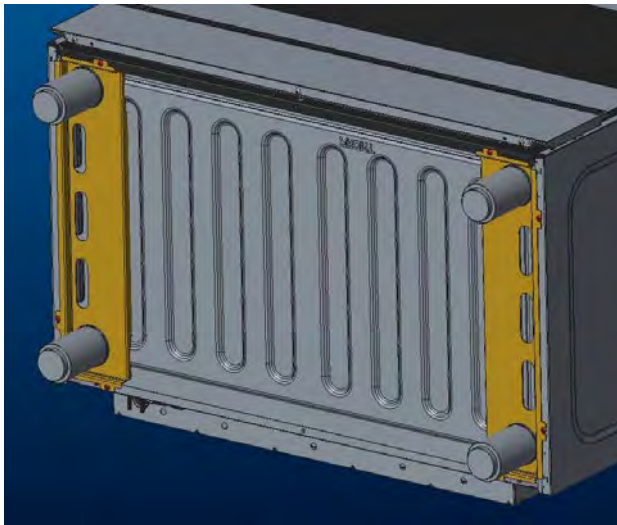
1. Recline the cooker on the back as (This must be done by two operators)
2. Remove two screws from the front frame.



3. Take the two reinforcement bars from the box positioned inside the cavity of the oven
4. Place the two reinforcement bars as the image (The two reinforcement bars are ambidextrous)
5. Fix the two reinforcement bars with the screws provided (4 screws each reinforcement bars)



6. Screw the legs into their seats threaded



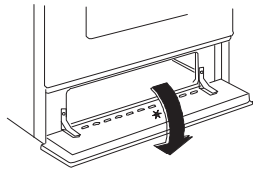
7. Place the cooker as the image and adjust the legs through the appropriate adjustments (This must be done by two operators)





## GAS CONNECTION

Gas installation must be made in accordance with AS/NZS 5601; Also refer to rangehood manufacturers recommendation. Check gas pressure, note the correct setting from the data plate sealed inside the front appliance drawer \*.



### Installing the gas cooker :

- An inlet manifold extension pipe must be fitted to the appliance. Part supplied in the drawer of the appliance.
- Ensure that the pipe is connected using the washer provided and that the bracket is screwed to the appliance as shown in the diagram below.
- Fit the supplied pressure regulator ( for Natural gas ) using the NG test point adaptor and washer to the inlet manifold. Ensure the arrow is pointing towards the appliance and that pressure testpoint is accessible from the final position.
- Push the cooker back and install the stabilizing chains.
- Connect the appliance inlet manifold to the consumer piping outlet using only fixed piping. This final connection is made when the product is pushed back into position by access under the cooker.

### The hose assembly

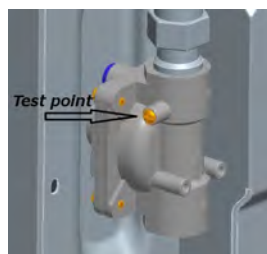
- **must comply with AS/NZS 1869 Class B or D,**
- **be of appropriate internal diameter and be kept as short as possible ( less than 1,2 mm)**
- **It must not be kinked**
- **It must not be in contact with hot surfaces**

IT IS RECOMMENDED THAT A SERVICE TAP AND UNION BE FITTED ADJACENT TO THE APPLIANCE INLET TO FACILITATE FUTURE SERVICING.

5 burner models: set the burner pressure to 1kPa for Natural Gas and 2.75kPa for U-LPG with the wok burner operating a full rate'. For commissioning of the appliance with the regulator for Natural Gas, the test point pressure should be 1.00kPa with all burners operating on HIGH.

Apply a manometer to the test nipple and reset the regulator if necessary. Do not forget to replace the test nipple screw and to leave the instructions book with the user.

For ULPG a **test point fitting must be installed between the piping and the appliance for the pressure to be checked to ensure it is operating at 2.75 kPa.**



Test point for Natural gas

### VERY IMPORTANT FOR THE INSTALLER

Do not attempt to turn or stress threaded elbow of the manifold: you risk damage to this part of the gas appliance which may void the manufacturers warranty.

Before Leaving - Check all connections for gas leaks with soap and water. DO NOT use a naked flame for detecting leaks. Ignite all burners to ensure correct operation of gas valves, burners and ignition. Turn gas taps to low flame position and observe stability of the flame.

When satisfied with the cooker, please instruct the user on the correct method of operation.

In case the appliance fails to operate correctly after all checks have been carried out, refer to the authorised service provider in your area.'

### GAS CONVERSION AND ADJUSTMENT

When used with natural gas all burners have been preset at our factory and further adjustment should not be necessary. Conversion kits to other gases are available from the place of purchase. Do not attempt to fit the conversion kit yourself. Conversion to U-LPG gas should only be carried out by an authorized technician.

#### GAS ADJUSTEMENTS

- change the injectors
- adjust the minimum flow

'When converting from Natural Gas to U-LPG ensure that the NG regulator is removed and replaced with the Test Point Assembly. A gas regulator suitable for a supply pressure of 2.75kPa should be part of the gas tank supply and should be adjusted with the wok burner operating at maximum.

#### REPLACEMENT OF THE INJECTORS

When required to operate on other gas replace the injectors in accordance with information referred to in chart below.

Tab. 1

Gas Type	kPa	Jet mm 0	Burners	Power MJ/h
Natural	1.00	1.20	Semirapid	7.1
		0.90	Auxiliary	4.0
		1.50	Rapid	11.0
		1.63	Triple Crown	12.7
U-LPG	2.75	0.73	Semirapid	7.1
		0.53	Auxiliary	3.7
		0.95	Rapid	11.7
		1.00	Triple Crown	13.0
Regulator		NG Regulator	LP Test point adaptor	

Adjustments, conversions and gas installations must only be carried out by an authorised person.

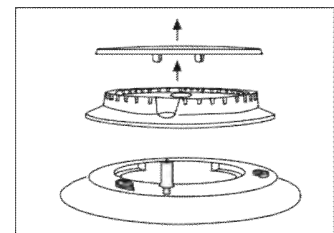
**After the replacement of the injectors , replace also the label of the type of gas**

#### SPECIAL NOTE

After installation or any servicing operation, always ensure that the appliance is gas sound and that the components are now operating correctly. Items removed during servicing should be replaced in the reverse order to their removal.

In order to change the work-top injectors, it is necessary to act as follows:

- remove the grids
- remove burners and flame-spreaders.



- change the injector (see Fig. D) and replace it with another one suitable for the new type of gas (see Tab. 1)

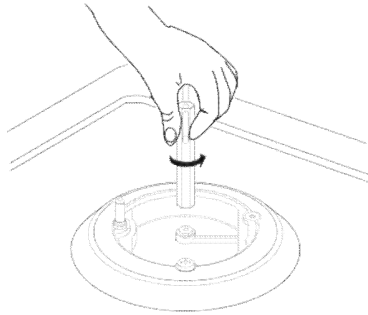


Fig. D

**MINIMUM FLOW ADJUSTMENT FOR HOB-TOP TAPS**

In order to adjust the minimum flame setting proceed as follows: switch the burner on, and set the knob at the minimum position

- ▲ . Remove the knob from the tap, The minimum adjusting screw «Z» is on the body of the gas tap (Fig. 2).

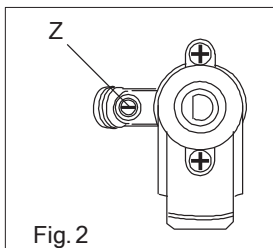


Fig. 2

Unscrew the adjusting screw in order to increase the flow or screw it to decrease the flow.

The correct adjustment is obtained when the flame has a length of about 3 or 4 mm.

For butane/propane gas, the adjusting screw must be screwed in tight.

Make sure that the flame does not go out turning quickly from the max. flow ▲ to the minimum flow ▲ .

Refit the knob again.

**ELECTRICAL CONNECTION**

The appliance must be installed by a suitably qualified person in accordance with these instructions and with the requirements of the Australian Wiring Rules AS/NZS 3000.

Fixed wired installations are to be provided with suitable isolation means in accordance with the said rules.

Any plug socket installed for the purpose of connecting the appliance to supply must be readily accessible when the appliance is installed. Before making the connection, make sure that:

- 1) the safety circuit-breaker and the electrical system are able to withstand the load of the appliance (see nameplate).
- 2) the power supply system has an earth connection in good working order in accordance with the regulations in force;

**IMPORTANT**

The wires in the mains lead are coloured in accordance with the following code:

- GREEN & YELLOW.....EARTH
- BLUE .....NEUTRAL
- BROWN .....LIVE

Electric power ..1,5 mm<sup>2</sup> 3 core cable (15 amp. Fuse required). Should conform to local authority requirements.

Also refer to rangehood manufacturers recommendations.

This appliance is supplied with a plug & cord, simply plug into a 3 pin household 15 A socket outlet which is properly earthed.

If the supply cord is damaged it must be replaced by a manufacturer, its service agent or similarly qualified person in order to avoid a hazard.

**WARNING: THIS APPLIANCE MUST BE EARTHED.**

The flexible mains lead and plug must not be in contact with hot surfaces.

**WARNING:**

Children should be kept away while the oven or grill is in use since accessible parts become hot.



**- WARNING -**

During use, the appliance becomes hot.

Care should be taken to avoid touching heating elements inside the oven.

- Do not use oven base panel as a shelf, make use of the oven shelves.
- To avoid splattering and smoke, position collecting tray under the grill with some water in it.
- Always turn pan handles to the side or to the back of the hob. If they are left out into the room they can easily be hit or reached by children, this knocking the pan off the hob.
- Don't let children sit down or play with the oven door. Do not use the drop down door as a stool to reach above cabinets.
- Once your cooking is over make sure to close the main gas supply.

**WARNING**

\* This appliance is not intended for use by young children or infirm persons without supervision.

\* Young children should be supervised to ensure that they do not play with the appliance.

**- WARNING -**

In order to prevent accidental tipping of the appliance, for example by a child climbing onto the open oven door, the stabilizing means must be installed.

**- 1 Minute Tour -**

**Be safe**

Please read the rest of the instruction book which contains important information to help you use the appliance safely and efficiently.

**Gas and Electricity on**

Make sure that the gas supply is turned on and that the appliance is plugged in and switched on. The ignitor needs electricity.

In case there is no electric current, the burner can also be lighted using a match.

It is recommended that pans suitable to the size of the burner should be used as follows:

BURNERS	PANS	
	fl min.	fl max
AUXILIARY	80 mm	160 mm
SEMI-RAPID	120 mm	200 mm
RAPID	200 mm	230 mm
TRIPLE CROWN	230 mm	260 mm

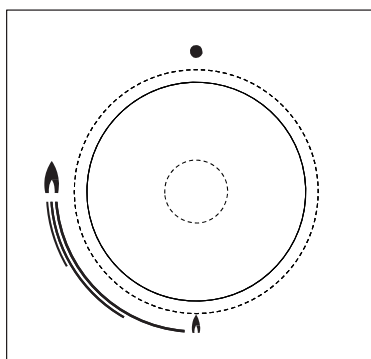
Always use pans with a flat base diameter, which are well balanced and stable in use, a pan which overhangs the hotplate should not be used. Avoid using old, misshapen pans, or pans which are unstable when placed on a flat surface. Do not use "split pans" as they are inherently unstable.

To save gas, always position pans centrally over the burners and adjust the flames so that they do not lick up the sides of the pan and only the base is heated. Always put lids on saucepans and boil only the amount of liquid you use. When the liquid has boiled adjust the setting to maintain a simmer. Do not light the burner until the pan is in position and turn off the burner before removing the pan. In hard water areas, descale kettles regularly. For safety, keep saucepan handles turned to a safe position so they are out of reach of small children and cannot be accidentally knocked.

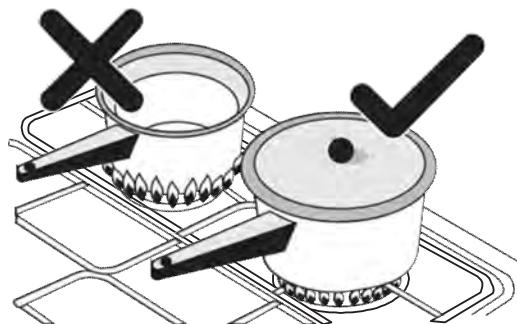
To turn the burner OFF, turn the control knob clockwise to the OFF setting (marked with a dot ●)

**Automatic electric ignition**

To turn on a burner, press the knob corresponding to the selected burner and turn it anticlockwise to the maximum position. Keeping the knob pressed, the electric automatic ignition of the burner will be started up. In case there is not electric current, the burner can also be lighted using a match.



The small flame indicates the 'low position'. Turn the knob to it after the contents of a pan have boiled.



The smaller burners are for smaller pans and simmering. Make sure flames are under the pans. Using a lid will help the contents boil more quickly.

**WARNING**

It is not recommended to press push button for ignition if all the burners are not located in the proper positions. The burner heads, burner skirts and pan supports are removable for better cleaning: Always ensure that the burner skirts and heads are replaced correctly so that the burners function safely and correctly. During the use of the appliance pay attention that water or any liquid does not enter into the appliance through the holes of the burners or around the rods of the valves or the push button electronic lighter.

Water or juice will produce dangerous short-circuits and can seriously damage the working of the Hotplate.

## HOW TO USE YOUR ELECTRIC OVEN

Apply for model EV90DFSX

- Before cooking in the first time we recommend that the oven should be operated at 200° C for 30 minutes to remove any manufacturing greases and odours.
- Do not place items or pan directly on to the oven bottom.
- Foil should only be used to cover food and not oven shelves or party of the oven. When used improperly will obstruct the air circulation causing problems in cooking and/or harmful accidents.

### MULTIFUNCTIONAL OVEN

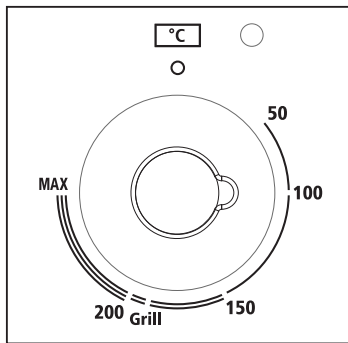
The oven is fitted with:

- a lower heating element;
- an upper heating element;
- two circular heating element surrounding the fan.

N.B.: Always set the temperature on the thermostat knob before selecting any of the functions.

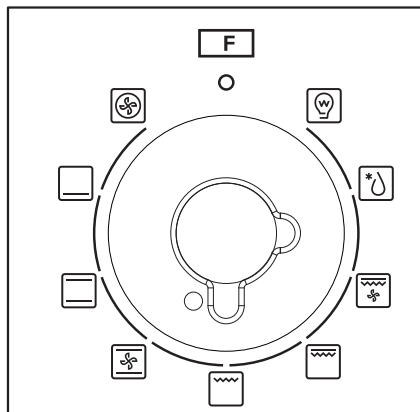
### Oven thermostat knob

To obtain an oven temperature between 50°C and MAX°C, turn the knob clockwise.



### Oven commutator knob

Depending on the type of oven, it is possible to select one of the following functions turning the commutator knob clockwise.



### Note:

All the functions mentioned above switch the oven internal light on. A warning light on the control panel will stay lit until the temperature is reached; after it will light up intermittently.

**Always use the oven with the oven door closed.**

### Use of the oven

Note: ovens with separate thermostat and commutator.

When the functions Grill and Fan Grill are used, place the thermostat knob between 180 + 200°C as maximum temperature.

### ATTENTION:

The temperature shown on the control panel corresponds to the temperature in the oven centre only when the functions selected are Bake or Fan Oven.

### Light

When you turn the control knob to this position, the light will be on for all the following operations.

### Defrost

The air at ambient temperature is distributed inside the oven for defrosting food very quickly and without proteins adulterations.



**Conventional cooking:** top and bottom heating elements are used together. Preheat the oven for about ten minutes.

This method is ideal for all traditional roasting and baking. For sealing red meats, roast beef, leg of lamb game, bread, foil-wrapped food (papillotes), flaky pastry. Mid shelf position recommended.



**Fan force:** Cooking of similar or different food placed on different shelves (up to 2 levels at a time).



**Fan assisted cooking:** both top and bottom heating heating elements are used and the fan circulates the air inside the oven. Recommended for poultry, pastries, fish and vegetables. Heat penetrates the food better and both the cooking and preheating times are reduced. Different foods can be cooked at the same time in one or more positions. This function provides even heat distribution and does not mix the smells. Allow about ten minutes extra when cooking foods at the same time.



**Lower element:** using the lower element. Ideal for cooking all pastry based dishes. This allows you to cook dry tart pastry without over cooking the fruit filling. Use this for flans, quiches, tarts, pâté and any cooking that needs more heat and radiation from below.



**Radiant Grill:** Caution: In this function the temperature control knob must be set from 50 °C to Grill position. Using the top level element. Five minutes preheating is required to get the element hot. Use the grill when the door is closed. The inner grill element switches on and off to maintain temperature.



**Double Grill:** Caution: In this function the temperature knob must be set from 50 °C to Grill position. Using the top level element. Five minutes preheating is required to get the element hot. Use the grill when the door is closed. The inside radiant element and top element are working.



**Fan assisted grilling:** Caution: In this function the temperature control knob must be set from 50 °C to G to Grill position. The top heating element is used in conjunction with the fan circulating the air inside the oven. Ideal for cooking thick food stuffs, whole pieces of meat such as roast pork, poultry, etc. Preheating is necessary for red meats but not for white meats. Place the food to be grilled directly on the shelf centrally, at the middle level. Slide the drip tray under the shelf to collect the juices. Make sure that the food is not too close to the grill. Turn the food over halfway through cooking.

## GENERAL INSTRUCTION

Warning: remember ovens get hot; some parts naturally become very hot, notably the glass oven door and the protective strip. Keep children away from oven at all times and warn them about the danger.

### GUIDE FOR CONVENTIONAL COOKING (Bake)

(Outer ring of upper electric element and lower electric element ON) The following Cooking Guides give the recommended shelf positions (counted from the bottom), thermostat settings and approximate cooking times for a range of baked items, using the



## HOW TO USE YOUR ELECTRIC OVEN

Apply for model EV900DPSX

- Before cooking in the first time we recommend that the oven should be operated at 200° C for 30 minutes to remove any manufacturing greases and odours.
- Do not place items or pan directly on to the oven bottom.
- Foil should only be used to cover food and not oven shelves or party of the oven. When used improperly will obstruct the air circulation causing problems in cooking and/or harmful accidents.

### MULTIFUNCTIONAL OVEN

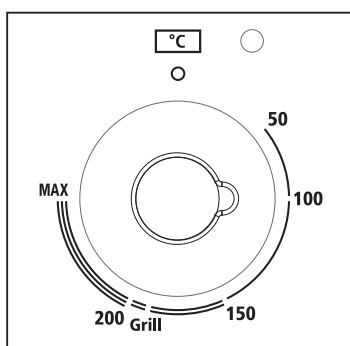
The oven is fitted with:

- a lower heating element;
- an upper heating element;
- two circular heating element surrounding the fan.

N.B.: Always set the temperature on the thermostat knob before selecting any of the functions.

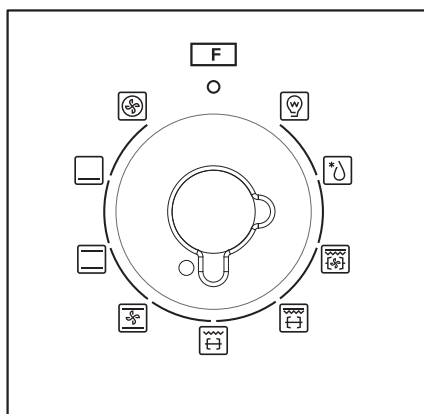
### Oven thermostat knob

To obtain an oven temperature between 50°C and MAX°C, turn the knob clockwise.



### Oven commutator knob

Depending on the type of oven, it is possible to select one of the following functions turning the commutator knob clockwise.



### Note:

All the functions mentioned above switch the oven internal light on. A warning light on the control panel will stay lit until the temperature is reached; after it will light up intermittently.

**Always use the oven with the oven door closed.**

### Use of the oven

Note: ovens with separate thermostat and commutator.

When the functions Grill and Fan Grill are used, place the thermostat knob between 180 + 200°C as maximum temperature.

### ATTENTION:

The temperature shown on the control panel corresponds to the temperature in the oven centre only when the functions selected are Bake or Fan Oven.



### Light

When you turn the control knob to this position, the light will be on for all the following operations.



### Defrost

The air at ambient temperature is distributed inside the oven for defrosting food very quickly and without proteins adulterations.



### Conventional cooking

top and bottom heating elements are used together. Preheat the oven for about ten minutes. This method is ideal for all traditional roasting and baking. For sealing red meats, roast beef, leg of lamb game, bread, foil-wrapped food (papillotes), flaky pastry. Mid shelf position recommended.



### Fan force

Cooking of similar or different food placed on different shelves (up to 2 levels at a time).



### Fan assisted cooking

both top and bottom heating elements are used and the fan circulates the air inside the oven. Recommended for poultry, pastries, fish and vegetables. Heat penetrates the food better and both the cooking and preheating times are reduced. Different foods can be cooked at the same time in one or more positions. This function provides even heat distribution and does not mix the smells. Allow about ten minutes extra when cooking foods at the same time.



### Lower element

using the lower element. Ideal for cooking all pastry based dishes. This allows you to cook dry tart pastry without over cooking the fruit filling. Use this for flans, quiches, tarts, pâté and any cooking that needs more heat and radiation from below.



### Radiant Grill

Caution: In this function the temperature control knob must be set from 50 °C to Grill position. Using the top level element. Five minutes preheating is required to get the element hot. Use the grill when the door is closed. The inner grill element switches on and off to maintain temperature.



### Double Grill

Caution: In this function the temperature knob must be set from 50 °C to Grill position. Using the top level element. Five minutes preheating is required to get the element hot. Use the grill when the door is closed. The inside radiant element and top element are working.



### Fan assisted grilling

Caution: In this function the temperature control knob must be set from 50 °C to G to Grill position. The top heating element is used in conjunction with the fan circulating the air inside the oven. Ideal for cooking thick food stuffs, whole pieces of meat such as roast pork, poultry, etc. Preheating is necessary for red meats but not for white meats. Place the food to be grilled directly on the shelf centrally, at the middle level. Slide the drip tray under the shelf to collect the juices. Make sure that the food is not too close to the grill. Turn the food over halfway through cooking.



### Rotisserie (in option)

the top heating element is used in conjunction with the rotisserie providing the real flavour of a traditional roast.

## GENERAL INSTRUCTION

Warning: remember ovens get hot; some parts naturally become very hot, notably the glass oven door and the protective strip. Keep children away from oven at all times and warn them about the danger.

### GUIDE FOR CONVENTIONAL COOKING (Bake)

(Outer ring of upper electric element and lower electric element ON) The following Cooking Guides give the recommended shelf positions (counted from the bottom), thermostat settings and approximate cooking times for a range of baked items, using the

conventional oven, using one tray only. Cooking results are a matter of personal preference and may easily be adjusted to suit individual requirements by slight adjustment of the temperature and or cooking time. Preheating of the oven is recommended for 10-15 minutes or until the oven thermostat indicator light switches off to show the selected temperature has been reached. When using a baking tray it should be placed centrally on the oven shelf with the short sides of the tray parallel to the sides of the oven. Do not use trays, tins or dishes larger than 380 mm (15") long, 356 mm (14") wide, as cooking results may be impaired.

Food	Thermostat setting °C	Shelf Position (Counted from Bottom)	Cooking Time
Small cakes (12 on tray)	195	3	20-30 mins.
Victoria sandwich (2x7"/180mm)	190	3	25-35 mins.
Swiss roll or whisked sponge	200	3	20-25 mins.
Fruit cake (8"/205mm)	155	2	2-3 hours.
Scones	260	3	10-20 mins.
Meringues	95	2	2-3 hours.
Shortcrust Pastry	210	3	25-45 mins. depending
Puff or Flaky Pastry	220	2	20-35 mins. upon
Choux Pastry	220	3	25-35 mins. dish
Biscuits	200/220	3	15-25 mins. depending upon type
Bread	250	2	30-40 mins.
Milk pudding	165	2	1H-2 hours.
Pizza	270	3	25 mins.
Lasagne	170	3	75 mins.
Oven noodles	160	3	75 mins.
BEEF on bone & crusty (rare) (medium) (well done)	270 rare	3	12 mins. per 1/b (500 g) plus 12 mins.
	220°C	3	15 mins. per 1/b (500 g) plus 15 mins.
	220°C	3	20 mins. per 1/b (500 g) plus 20 mins.
	180°C	3	25 mins. per 1/b (500 g) plus 15 mins.
LAMB on bone	220°C	3	20 mins. per 1/b (500 g) plus 20 mins.
	170°C	3	27 mins. per 1/b (500 g) plus 27 mins.
Boned and rolled	220°C	3	25 mins. per 1/b (500 g) plus 25 mins.
	170°C	3	35 mins. per 1/b (500 g) plus 20 mins.
PORK on bone	220°C	3	25 mins. per 1/b (500 g) plus 25 mins.
Boned and roller	180°C	3	30-35 mins. per 1/b (500 g) plus 35 mins.
VEAL on bone	220°C	3	25 mins. per 1/b (500 g) plus 25 mins.
Boned and roller	220°C	3	30 mins. per 1/b (500 g) plus 30 mins.
CHICKEN	220°C	3	20 mins. per 1/b (500 g) plus 20 mins.
	170°C	3	25 mins. per 1/b (500 g) plus 25 mins.
TURKEY	220°C	3	20 mins. per 1/b (500 g)
	170°C	3	25 mins. per 1/b (500 g)
DUCK	220°C	3	20 mins. per 1/b (500 g)
	170°C	3	25 mins. per 1/b (500 g)
GOOSE	220°C	3	20 mins. per 1/b (500 g) plus 20

#### PLATE WARMING

Ovenproof plates and dishes may be warmed in the oven on a low temperature setting. Remember do not place items directly into the oven base.

Warning: do not use foil to cover the oven shelves, or any part of the oven interior including the oven base. Foil should only be used to cover food and cooking dishes. Always place items which may boil over (e.g. fruit pies) on a baking tray to prevent spillage burning onto the oven base. Foil used improperly is frequent cause of oven problems and painful accidents. Avoid letting grease deposit collect around the upper heating element: it will cause

smoking and may start a fire.

Remember do not place pan or items directly onto the oven base. Never leave unit unattended at high heat settings. Boil over causes smoking and greasy spill over that may start a fire.

If a grease fire should occur in a pan put out the flame by placing a lid on the pan. Do not throw water on a grease fire.

#### GUIDE FOR FORCED CONVECTION COOKING

(Back rolled electric element with fan)

The accessories provided with the oven can be slotted in at 5 positions: the following guide concerns cooking times and thermostat settings using N. 2 shelves on the same time (in position N. 2 and N. 4). Cooked results are a matter of personal preference and may easily be adjusted to suit individual requirements by slight adjustment of the temperature and/or cooking time, or when using more or less shelves in the same time. Preheating of the oven is recommended for 10-15 minutes or until the oven thermostat indicator light switches off to show the selected temperature has been reached. When using a baking tray it should be placed centrally on the oven shelf with the short sides of the tray parallel to the sides of the oven. Do not use trays, tins or dishes larger than 380mm (15") long, 356 mm (14") wide, as cooking results may be impaired.

Food	Thermostat setting °C	Cooking Time
Small cakes (12 on tray)	175	15-25 mins.
Victoria sandwich (2x7"/180mm)	170	20-30 mins.
Swiss roll or whisked sponge	180	15-20 mins.
Fruit cake (8"/205mm)	135	1H-2H hours.
Scones	210	8-15 mins.
Meringues	80	1H-2H hours.
Shortcrust Pastry	190	20-40 mins. depending
Puff or Flaky Pastry	200	15-30 mins. upon
Choux Pastry	200	20-30 mins. dish
Biscuits	170/180	10-20 mins. depending upon type
Bread	200/220	25-35 mins.
Milk pudding	150	1H-2 hours.
Pizza	250	20 mins.
Lasagne	165	60 mins.
Oven noodles	150	60 mins.
BEEF on bone	230 rare & crusty	9 mins. per 1/b (500 g) plus 9 mins.
BEEF on bone	190 °C (rare)	15 mins. per 1/b (500 g) plus 8 mins.
	190 °C (medium)	20 mins. per 1/b (500 g) plus 10 mins.
	160 °C (well done)	25 mins. per 1/b (500 g) plus 8 mins.
Boned and rolled	190 °C (rare)	20 mins. per 1/b (500 g) plus 10 mins.
	190 °C (medium)	25 mins. per 1/b (500 g) plus 15 mins.
	160 °C (well done)	30 mins. per 1/b (500 g) plus 8 mins.
LAMB on bone	190 °C	20 mins. per 1/b (500 g) plus 10 mins.
	155 °C	27 mins. per 1/b (500 g) plus 14 mins.
Boned and rolled	190 °C	25 mins. per 1/b (500 g) plus 14 mins.
	155 °C	25 mins. per 1/b (500 g) plus 14 mins.
PORK on bone	200 °C	25 mins. per 1/b (500 g) plus 14 mins.
Boned and roller	160 °C	30-35 mins. per 1/b (500 g) plus 8 mins.
VEAL on bone	200 °C	25 mins. per 1/b (500 g) plus 14 mins.
Boned and roller	200 °C	30 mins. per 1/b (500 g) plus 14 mins.
CHICKEN	200 °C	20 mins. per 1/b (500 g) plus 10 mins.
	155 °C	25 mins. per 1/b (500 g) plus 13 mins.
TURKEY	200 °C	18 mins. per 1/b (500 g) plus 14 mins.
	155 °C	23 mins. per 1/b (500 g)
DUCK	200 °C	18 mins. per 1/b (500 g)
	155 °C	23 mins. per 1/b (500 g)
GOOSE	180 °C	18 mins. per 1/b (500 g) plus 20 mins.

**USING THE GRILL  
(APPLY FOR MODEL EV900DPSX)**

The grill is situated in the top of the oven compartment.  
The grill pan should be located on the top oven shelf position.  
Always grill with the door closed.

**Warning:**

Do not place fatty foods too close to the grill and never leave the grill unattended. If fatty foods are grilled, or roasting has been cooked in the oven at a high temperature the grill element may smoke. This is not dangerous and the smoke is caused by the fat burning off when the grill element is hot. Leave the grill element on until the smoking has stopped then use as normal. If a grease fire should occur in a pan put out the flame by placing a lid on the pan. Do not throw water on a grease fire.

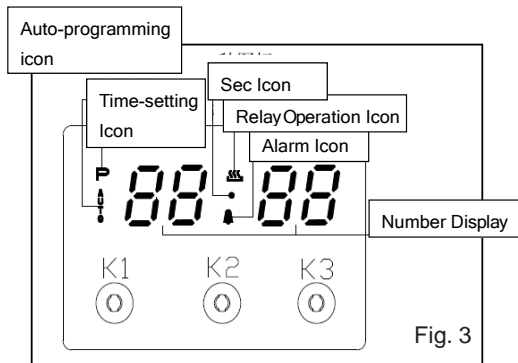
**INSTRUCTIONS FOR USE OF CONTROL DEVICES  
(APPLY FOR MODEL EV900DPSX)**

**Using the programmer of cooking**

**Main functions (for some models)**

1. Time function, keep the time in 24 hours.
2. Make an reservation for the oven work time, and can set anytime in 24 hours.
3. Set the oven work time, the longest maybe 10 hours.

**Operation Panel and Instructions (for some models)**



**1 List of functions**

Instructions from left to right: Key1, Key2, Key3.

Key1 Decrease Key

Key2 Mode Key

Key3 Increase Key

Note: Press Key 1 and Key 3 under the setting mode, which changes the time by one minute either up or down. If keep pressing them, the number will be up or down quickly.

**2 Icon Instructions**

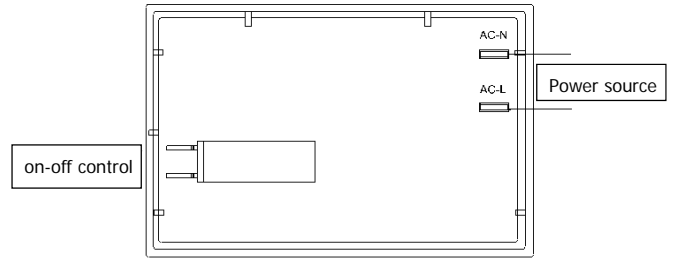
"Auto-programming icon" : it will flash when setting automatic program and the end of automatic program. If automatic program has been set, after 5s, it will keep lighting up. At the end of automatic program, the flash will be off when resetting the clock or it will keep lighting up when resetting automatic program after 5s.

"Time-setting icon" will flash when setting Beijing time.

"Sec Icon" and "Alarm Icon" are flashing under the mode of time setting and alarm setting, after 5s of setting, it will turn to lighting up.

"Relay Operation Icon" shows the working state of relays. The icon will keep lighting up if contact are connected, and will be off if contacts are disconnected. "Number Display" is LED Nixie Tube.

**Control Function and Instructions**



As shown in the picture, on-off control is used to control heating components of oven, the left is power source which can be connected under the 220V.

**1、 Time Adjustment after Starting up**

When the power is on, it shows 12:00 and flashes. The relay contact is disconnected, auto-programming icon keeps lighting up, time setting icon flashes.

Press K1 or K3 to the time or press K2 to get into the present working mode. The relay contact is connected.

Press K2 by 4 times to get into the present time-setting mode under the common mode.

**2、 Alarm and Buzz Function**

Press K2 once under the common mode: "Alarm Icon" flashes."

Press K1 or K3 to adjust the present alarm clock. 5s after adjusting to the time you need, "Alarm Icon" keeps flashing, and will work after setting up. In this case, pressing K1 can know the alarming time( it will show seconds at one last minute).

When alarm counts down to zero, alarming program ends, alarm icon flashes, and the buzzer os buzzing. Press any key to stop the buzzing or it will turn off automatically after 2 minutes.

**3、 Auto-programming Setting and Instructions**

**① Semiautomatic program mode**

Use this setting for oven working time, automatic heating switch-off at the end of setting time, buzzer will inform the user.

Press K2 twice or three times to get into the auto-programming time setting, "Auto-programming Icon" flashes. Press K1 and K3 to aujst continuous time and end time.

5s after setting, it will work automatically, "Auto-programming Icon" keeps lighting up. If continuous time is 0, turn off the relay contact, and "Relay Operation Icon" is dark, "Auto-programming Icon" flashes, the buzzer is buzzing.

This mode's range of continuous time and end time:

Adjustment range for continuous time:  $> 0$  but  $\leq 10$  hours

Adjustment range for end time: present time  $<$  end time

$\leq$  present time + 10 hours

If meet this standard: end time  $=$  present time + continuous time

For example: the present time is 2:00, then the max. end time is adjusted to 12:00 (2:00 + 10:00 = 12:00). When the end time is adjusted to 12:00, then the continuous time is 10:00. 5s after adjusted, automatic program is working. After 10 hours, if continuous time is counting down to 0, turn off the relay contact, and "Relay Operation Icon" is dark, "Auto-programming Icon" flashes, the buzzer is buzzing.

**Note:**

1. only use this setting for either continuous time or end time. For example: the present time is 2:00, and if let the oven work for 3 hours, set the continuous time to 3:00, and the end time will automatically change to 5:00 and vice versa.
2. If the continuous time is equal to 0 or the end time is equal to the present time, it means that the automatic program is over.
3. When the automatic program is over, the continuous time is 0 and the end time is equal to the present time.

② Automatic Mode

Use this mode for setting oven's starting time and end time, which means make an appointment to boot. When the time is over, it will automatically turn off the heating and the buzzer is buzzing to inform the user.

Press twice to get into the continuous time setting mode under the common mode, press three times to get into the end time setting mode.

When the continuous time setting is ok or the end time setting is ok, then press K2 to get into the other kind of automatic program time setting, "Auto-programming Icon" flashes, "press K1 and K3 to adjust continuous time and end time. 5s after automatic program setting, it will automatically work, and "Auto-programming Icon" keeps lighting up. Turn off the relay contact, and the icon is dark. When work until the starting time, the relay contact is connected, the icon is light. When the continuous time is counting down, if the continuous time is 0, turn off the relay contact, "Relay Operation Icon" is dark, "Auto-programming Icon" flashes, and the buzzer is buzzing.

The continuous time and the end time under this mode will be set as follow: Starting time = end time - continuous time  
 For example, the present time is 2:00, set the continuous time to 3:00, and the end time to 10:00, then the starting time is 7:00 (7:00 = 10:00 - 3:00). The relay contact is connected and its icon is light. After working for continuous 3 hours, the continuous time is 0, turn off the relay contact, "Relay Operation Icon" is dark, "Auto-programming Icon" flashes, the buzzer is buzzing.

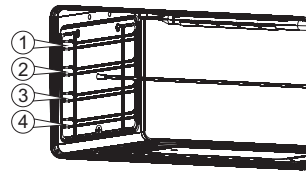
**Note:**

- 1 End time > present time + continuous time, ≤ but 23 hours and 59 minutes  
 For example: the present time is 2:00, continuous time is 0:01, then the range for end time is 2:02 (2:02 > 2:00 + 1).
- 2 Continuous time ≥ 1 minute, continuous time and end time both will be set.
- 3 If the continuous time is equal to 0 or the end time is equal to the present time it means the automatic program is over.
- 4 When the automatic program is over, the continuous time is 0, and the end time is the same with the present time.

4. Cancel Function

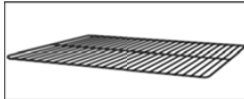
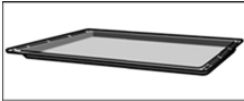
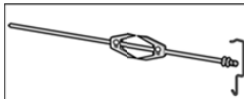
When semiautomatic or automatic function is starting, press K1 and K3 at the same time which can cancel the automatic mode. (to cancel continuous time and end time).

**Accessories**



The accessories can be inserted in the oven in 4 different shelf positions. You can pull the accessories two-thirds of the way out without them tipping. This allows meals to be removed easily.

You can buy accessories from the after-sales service or from specialist retailers.

Accessory	Description
	<b>Baking and roasting shelf</b> For ovenware, cake tins, roasts, grilling and frozen meals.
	<b>Enamelled baking tray</b> For moist cakes, pastries, frozen meals and large roasts. Can also be inserted underneath the wire rack or rotisserie and used as a drip tray to collect fat.
	<b>Rotisserie</b> For roasts and large pieces of poultry. Use only in combination with the enamelled baking tray.

**USE OF THE ELECTRIC GRILL**

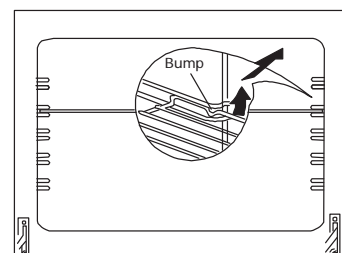
**USING THE GRILL**

Turn the oven knob to the right and place it on the grill position. The grill pan should be located on the top oven shelf position. Always preheat the grill on full for 3-5 minutes before inserting the food.

The user can change the shelves, depending on his personal wishes and on the different food.

To remove the shelves from the oven, pull them forward you, tilt front end upward and pull them out.

To replace it in the opposite manner as before.



Install shelves by locating them in the horizontal guide rails on the oven walls. The raised portion of the shelf is to be facing the rear wall of the oven.



## Using the rotisserie

(APPLY FOR MODEL EV900DPSX)

The rotisserie can be used to cook joints such as rolled joints and poultry with excellent results. The meat is roasted thoroughly and evenly.

The rotisserie function only when the switch is in position grill.

### Preparing joints

Place the joint as centrally as possible on the rotisserie and secure it at both ends with the retaining clips.

You can also truss the joint with string. With poultry, bind the ends of the wings underneath the back and the thighs against the body. This will prevent them from becoming too dark.

Pierce the skin on the underside of the wings to allow the fat to escape.

### Inserting the rotisserie

**Insert the rotisserie as follows:**

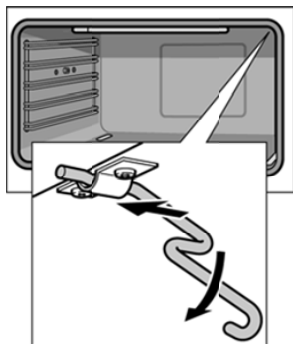
1. Hook the spit holder into the bracket on the ceiling of the cooking compartment.  
If you require to preheat the oven, hook in the holder before preheating.

#### **G Risk of burns**

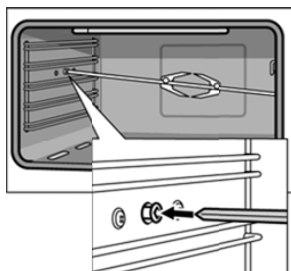
Never touch the hot surfaces of the cooking compartment or the heating elements.

Children must be kept at a safe distance from the appliance at all times.

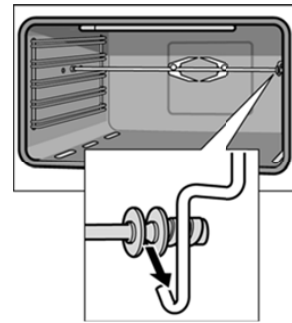
Open the appliance door carefully. Hot steam may escape.



2. If the oven has been preheated, only attach the rotatory spit if you are using an oven cloth or wearing (thermal) oven gloves. To attach the spit, slide one end into the recessed adapter in the left-hand side panel of the cooking compartment.



3. Hook the other end into the holder.
4. Pour a little bit of water into the baking tray and slide this into shelf position 1 to collect the run-off fat.



### Removing the rotisserie

#### **G Risk of burns.**

Never touch the hot surfaces of the cooking compartment or the heating elements.

Children must be kept at a safe distance from the appliance at all times.

Open the appliance door carefully. Hot steam may escape.

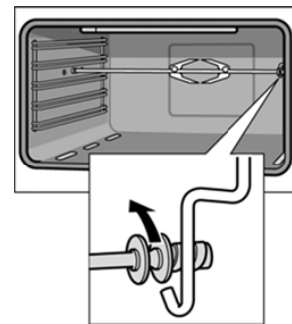
#### **G Risk of burns.**

Never touch the rotisserie or other accessories directly they are hot.

Always wear oven gloves or heat-resistant gloves when handling hot accessories.

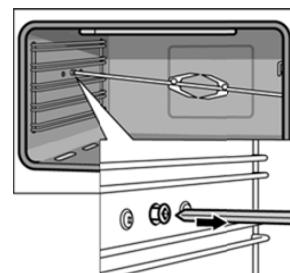
**Remove the rotisserie as follows:**

1. Carefully open the appliance door. Carefully remove the rotary spit from the holder.



2. Carefully withdraw the rotisserie from the recessed adapter in the side panel and remove it from the oven.

3. Take out the baking tray.



## CLEANING

Before cleaning the appliance, close the gas stopcock and unplug appliance or disconnect power at the main circuit breaker of the electrical system.

Do not clean the appliance surfaces when still hot.

Always clean off spillage as quickly as possible to prevent burning on which will make removal more difficult. Wash with a clean cloth soaked in hot soapy water, rinse and dry with a soft cloth.

**DO NOT USE ABRASIVES. CAUSTIC PASTES OR SPRAYS. COARSE CLEANING PADS OR POWDERS. DO NOT USE EXCESSIVE WATER WHEN CLEANING YOUR OVEN IN ORDER TO AVOID WATER PRESSING THROUGH CLEFTS INTO THE BACK OF CONTROLS PANEL OR OF THE UNIT.**

**NOTE:** A steam cleaner is not to be used for cleaning this appliance .

### Pan supports and burners

The burner heads can be removed for cleaning.

NB Do not drop hot burner caps in cold water.

Because of the rapid cooling they might get damaged.

Lift off and soak for about 10 minutes in hot water with a little detergent. After having cleaned and washed them, dry them carefully.

Make sure that no burner holes are clogged.

Clean the burners once a week or more frequently if necessary.

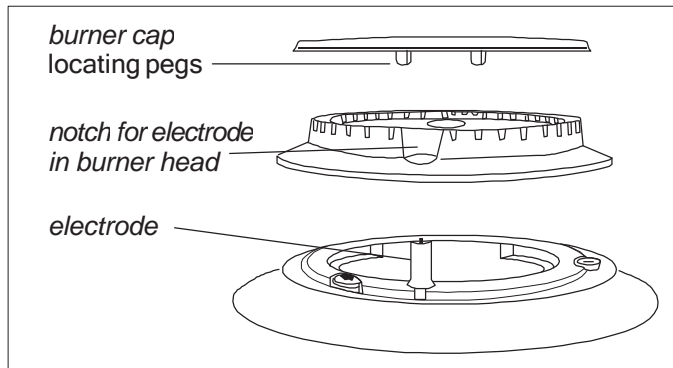
Make sure you have reassembled the burners correctly.

Pan supports can be washed by hand or in a dishwasher.

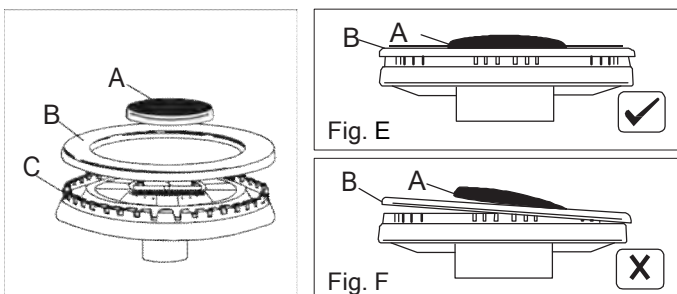
Remember to remove rubber feet (if fitted) prior to washing.

Refit them afterwards.

Do not use harsh abrasive cleaners or sharp metal scrapers to clean the oven door glass since they can scratch the surface, which may result in shattering of the glass.



For a triple crown burner, make sure head "C" and covers "A" and "B" are properly placed on their seats as figure E and not off-centered as in figure F.



### Daily

Regular wiping down directly after use prevents dirt from burning on. Clean the appliance with water and a detergent or all purpose cleaner.

Avoid using too much water to prevent it entering the burner or ventilation openings.

You can remove the hook-in racks in order to clean them separately.

The hook-in racks are all fixed to the walls of the cooking compartment at four points.

To remove the hook-in racks, proceed as follows: ( Fig. G )

1. Undo the screw on the bottom the hookin rack.  
The lower hooks of the hook-in rack are released.
2. Take hold of the top of the hook-in rack and screw on the screw on the bottom the hook-in rack again.

To reinsert the hook-in racks, proceed as follows: ( Fig. H )

1. Insert the upper hooks into the drill holes in the side panel.
2. Pull the hook-in rack slightly downwards and insert the lower hooks into the drill holes.

### Removing the hook-in racks

### Inserting the hook-in rack

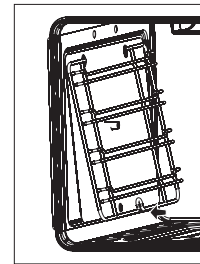
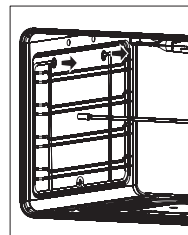
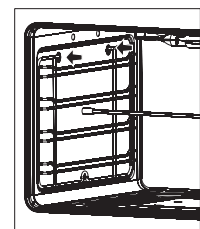
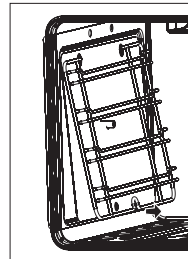


Fig. G

Fig. H

Oven accessories (shelves, trays etc) should be washed in mild detergent solution and should not be treated with abrasives. The oven interior panels should be cleaned with mild detergent solution, mild cream cleaners or a moist soap pad.

Install shelves by locating them in the horizontal guide rails on the oven walls.

The raised portion of the shelf is to be facing the rear wall of the oven.

### IMPORTANT

Do not use excessive water when cleaning the oven and avoid water passing through the fan grill or ducts in the oven back .

Avoid letting grease deposit collect around the upper heating element: it will cause smoking and may start a fire.

## Cleaning the interior glass of the oven

The interior glass of the oven door can be removed: with the door in the semi-open position, use both hands to remove the glass. After cleaning, refit the glass by proceeding in reverse order.

### Note

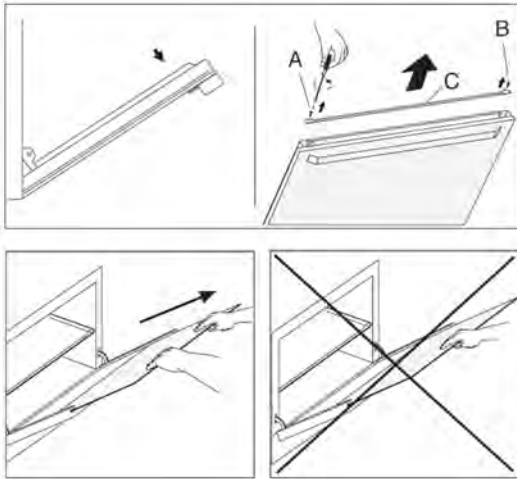
In some models, the glass is screenprinted. In this case, when refitting the glass make sure the screenprinted part is legible when the oven door is opened.

### The interior glass of the oven

The interior glass of the oven door can be removed: with the door in a semi-open position, remove the screws **A** and **B** and the profile **C** as shown in fig. 4

Use both hands to remove the glass as shown in figures 9A. After cleaning, refit the glass by proceeding in reverse order.

Fig. 4



### CAUTION:

Do not use rough or abrasive materials or sharp metal scrapers to clean the glass doors of the oven since they may scratch the surface and cause the glass to break.

### WARNINGS

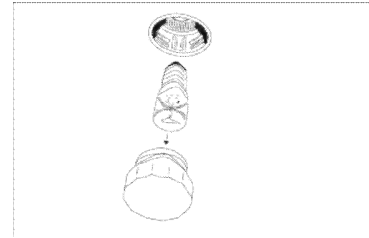
Before performing any repair or operation, switch the appliance off and close the gas tap.

The manufacturer declines all responsibility for any damage to persons, animals or things caused by failure to observe the rules indicated above. In case it is necessary to repair or replace the inside components, act as follows:

### WARNINGS

Ensure that the appliance is switched off before replacing the lamp to avoid the possibility of electric shock.

The oven lamp used is of a special type withstanding high temperatures. To replace it, act as follows: disassemble the protecting glass (A) and replace the burnt lamp with one of the same type. Reassemble the protecting glass.

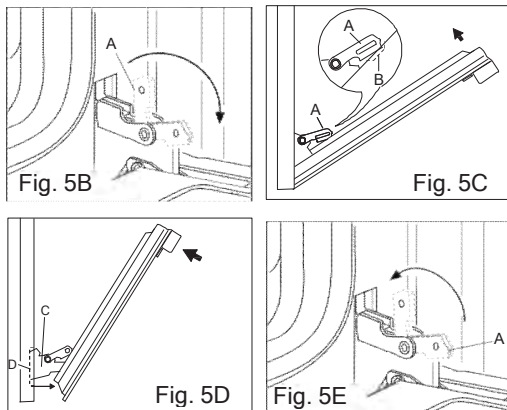


## Removal of oven door

In-depth cleaning of the oven becomes more convenient if the door is removed following the instructions below:

- 1 open the oven door completely.
- 2 flip the hinge hooks "A" outwards (see Fig. 5B).
- 3 shut the oven door slowly until it reaches hooks "A", making sure these are locked into slots "B" of the oven door, as shown in Fig. 5C. Remove the glass Fig. 5A (only for models where present).
- 4 Using both hands, push the oven door lightly inwards, to enable the door hinges "C" to come away from the slots "D" (see Fig. 5D) and pull the door towards you until it is released from the oven.

After cleaning it, reposition it correctly following the above steps in the reverse order and flipping hooks "A" inwards before you shut the oven door (Fig. 5E).



Disassembly of the worktop must only be done by a qualified service technician

#### DISASSEMBLE OF WORK-TOP

In case it is necessary to repair or replace the inside components, act as follows:

Remove the grids, remove burners and flame-spreaders (see Fig. 6), unscrew the visible screws "V" placed on the work-top (see Fig. 7). Disassemble the work-top by unscrewing the rear screws "A" (see Fig. 15 according to the models). In this way it is possible to lift the work-top and to reach the inside components.

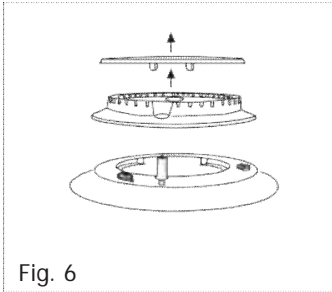


Fig. 6

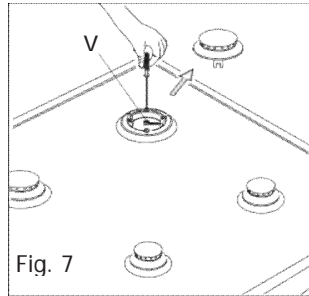


Fig. 7

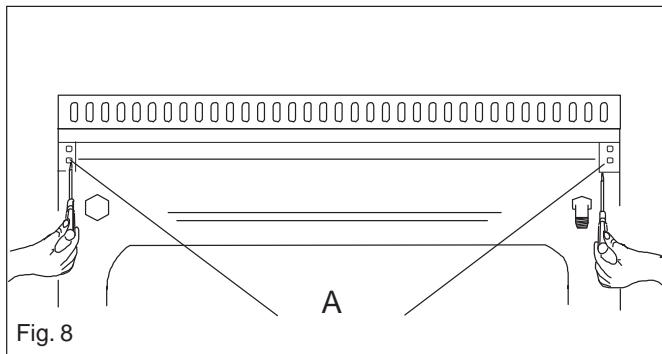
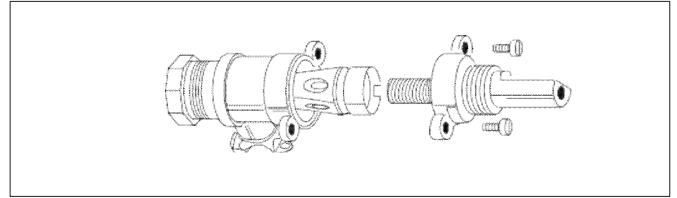


Fig. 8

#### GREASING OF TAPS

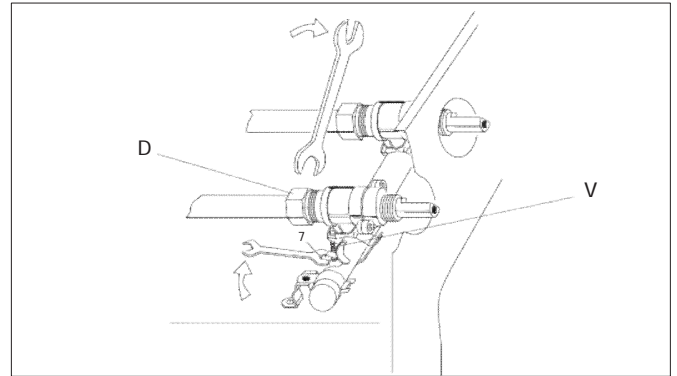
If a tap becomes hard to be turned, grease it using a specific grease withstanding high temperatures. Act as follows: open the work-top and disassemble also the control panel as described on the previous paragraph. Unscrew the two fixing screws from the burner body (see picture) and remove the cone.



#### TAPS REPLACEMENT

Act as follows: open the work-top and disassemble also the control panel as described on the previous paragraph. Unscrew screw nut D of the gas tube supplying the burner. Unscrew screw V fixing the tap to the bridge and remove it (see picture).

Note: Every time the tap is replaced, it is necessary to replace the seal gasket too check the connection seal by means of soapy water.



Clean the cone and its slot by means of a cloth soaked with solvent. Slightly grease the cone with the relevant grease, put it in its slot, and turn it some times. Remove the cone again, remove the excess grease making sure the gas entries are not obstructed by grease residue. Assemble everything carefully in the opposite direction check the connection seal by means of soapy water.



## SOME SAFETY POINT

Do not use the appliance as a space heater.

If you smell gas

Open a window. Do not use any electrical switches. Immediately extinguish naked flames. Isolate appliance from gas mains supplies via the isolation stopcock. Contact local gas authority or emergency services as appropriate. In the event of food fire. Isolate appliance from electric I gas mains supplies if safe to do so. Try to extinguish flames with the appropriate equipment (fire blanket or extinguishing foam). Do not use water on cooking fat I oil fires.

If in difficulty call emergency services.

- Do not store or use flammable products or aerosol containers near the hotplate or burners.
- Never flambe, under an extractor - even if the ventilator is switched off.  
The high flames can cause fire.

For your safety and that of your children

- Do not store items that are attractive to children above or near the appliance.
- Keep children well away from the appliance: do not forget that some parts of the appliance or of the pans become very hot and dangerous during use, and will take time to cool down.
- When cooking, do not use clothes that could catch fire and cause serious injury.
- Some "Wok" cooking pots are unstable. Check with the manufacturer before purchasing.
- Avoid using unstable and misshapen pans which may tilt easily and pans with a very small base diameter, e.g. milk pans, single egg poachers. The minimum pan diameter recommended is 125mm (5"). Smaller pans will be unstable.

Very large pans may cause walls or knobs to overheat. Using pans which are too big may deform the control knobs or discolour the walls. This is not covered by the guarantee.

- Carefully place all pans centrally over the burners.
- Always position pan handles safely away from the front of the hotplate and out of danger, particularly from small children.
- Never leave a chip pan unattended.
- Pans and kettles with down turned base rims should not be used.
- Simmering aids such as asbestos or mesh mats are NOT recommended. They will reduce burner performance and could damage the pan supports.
- Commercially available foil spillage aids are unnecessary on this hotplate.

## PROBLEM SOLVER

Any of the following are considered to be abnormal operation and may require servicing:

- Yellow tipping of the hob burner flame.
- Sooting up of cooking utensils.
- Burners not igniting properly.
- Burners failing to remain alight.
- Burners extinguished by oven door.
- Gas valves, which are difficult to turn.

Your Installer should be contacted if you have any problems with the installation.

Before you call a service engineer please check if the problem is something you could fix yourself. The cause of the problem is often a simple one.

### THINGS TO TRY BEFORE CALLING FOR AN ENGINEER

**Burner does not burn well**

Is the burner dirty or damp? Try cleaning and/or drying the burner. Appliance not suitable for your gas type? Check the identification plate on the hotplate base.

**Burner does not ignite**

Do the burners spark when you press the ignition button? If not is the power on? See 'Checking the power supply' section further on. If the power supply is OK then there is probably something wrong with the ignition system.

Are the electrode or burner slots blocked by debris?

Is the burner dirty or damp? Try cleaning and/or drying the burner.

Is the burner trim correctly located?

Are the burner caps correctly located?

Check that there is not a problem with your gas supply. You can do this by making sure that other gas appliances you may have are working.

**Pan supports**

Aluminium pans may cause a metallic marking on the pan supports which does not affect the durability of the enamel and may be cleaned off with a metal cleaner such as 'Brasso'.

**Checking the power supply**

First check if the main house fuse or circuit breaker has activated.

If it's OK, test the power socket with another appliance. If the other appliance works, then unplug the cooker and contact the service agent

**Power Failure**

In the event of a failure in the electrical supply the hotplate burners may be lit using a match.

**Ventilation**

The use of a gas cooking appliance results in the production of heat and moisture in the room in which it is installed. Ensure that the kitchen is well ventilated: keep natural ventilation holes open or install a mechanical ventilation device, (mechanical extractor hood). Prolonged intensive use of the appliance may call for additional ventilation, for example opening a window, or more effective ventilation, for example increasing the level of mechanical ventilation where present. For more detail see the Installation Instructions.

#### OVEN DOES NOT WORK AT ALL

First, when the oven is equipped with timer, check appliance is not programmed to turn on later. If it is, turn to manual setting (i.e. hand symbol). If the button or scale on the timer remains in the automatic position after use, the power supply to the oven will be interrupted. Also, check your appliance is switched on at the mains. Next check for an unexpected power strike by switching on adjacent lights etc. Finally, check fuses and plug wiring. If all these prove satisfactory, call engineer.

#### LIGHT BULB DOESN'T COME ON

Check bulb for looseness or burned out bulb.

Note: bulb replacement is not covered by your guarantee.

#### SMOKE COMING FROM OVEN

If oven is still relatively new, this problem is invariably due to protective oil on elements. Otherwise, the answer may be oil or fat which has become deposited on the elements during cooking. In either event, continued use should burn away the residues. On future occasions, try to shield food with foil or keep it further away from element, particularly when grilling.

#### CLOCK/TIMER DOES NOT WORK

Check to be sure range cord is plugged into outlet completely. Check for a blown fuse or tripped circuit breaker. Check for power outage. Check step by step operating Instructions on previous pages.

If, after checking through this section, you cannot resolve your problem please call the number on the warranty page in this manual for service and spare parts.

When ordering please quote the appliance name, the colour variant and serial number.

This information can be found on the data plate sealed inside the front appliance drawer.

**Maintenance schedule:**

To ensure the appliance continues to operate at peak performance, we recommend a routine service call years for the life of the appliance.

FOR SPARE PARTS OR TO FIND THE ADDRESS OF  
YOUR NEAREST STATE SPARE PARTS CENTRE IN AUSTRALIA

**Eurostyle Group Pty Ltd**

65 Unburn Road

Lynde SA. 50 70

Ph.1800 440 335

Ph (08)8165 1012

Fax: (08)8165 1018



**Pronto** Service + Support: 1800 440 335  
Email: [service@eurostylegroup.com.au](mailto:service@eurostylegroup.com.au)

HEAD OFFICE

65 Glynburn Road, Glynde SA 5070  
Ph: 08 8165 1012

**[www.euroappliances.com.au](http://www.euroappliances.com.au)**