

NAME:

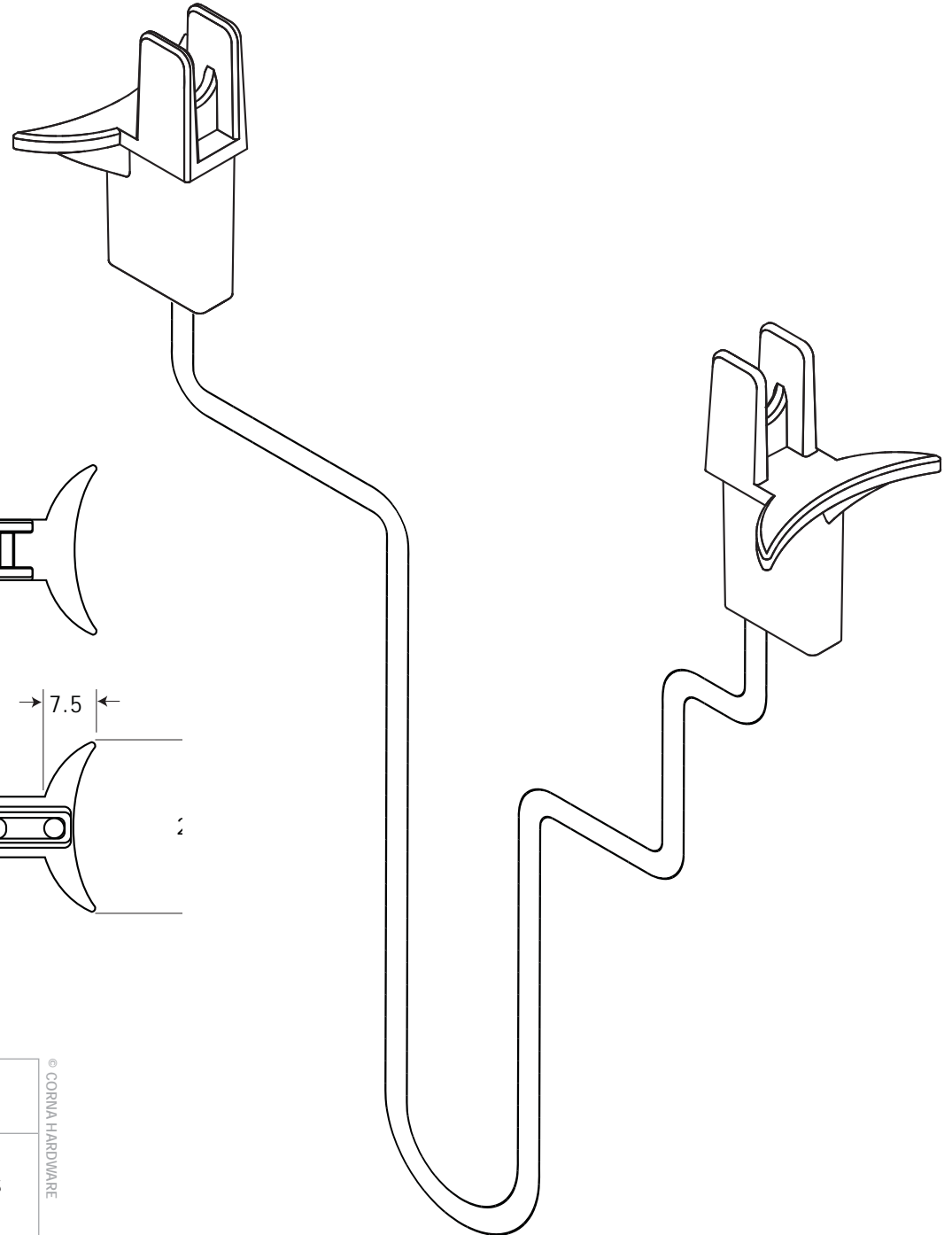
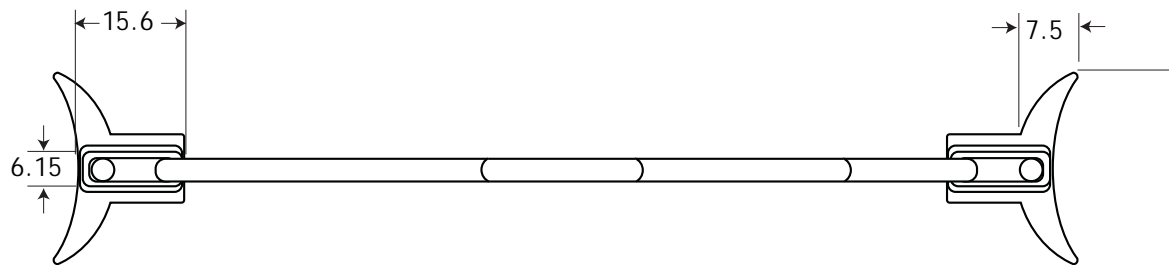
Connector Cramp - for longer bolts

PAGE:

1 of 2

DESCRIPTION:

Holds connector for insertion and adjustment. Spring action handle: Holds toggles apart, Keeps bolt head in place, Tensions nut for better control. Shaped side of handle provides clearance for spanner operation.



NAME:

Connector Cramp - for longer bolts

PAGE:

2 of 2

DESCRIPTION:

Holds connector for insertion and adjustment. Spring action handle: Holds toggles apart, Keeps bolt head in place, Tensions nut for better control. Shaped side of handle provides clearance for spanner operation.