

LATERAL OPENING DOOR SYSTEMS

LIN-X800

SLIDING & FOLDING DOOR HARDWARE

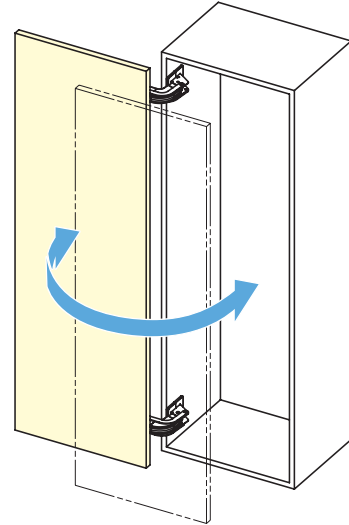
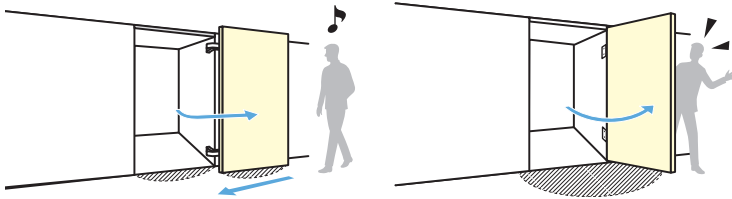
LATERAL OPENING DOOR SYSTEM



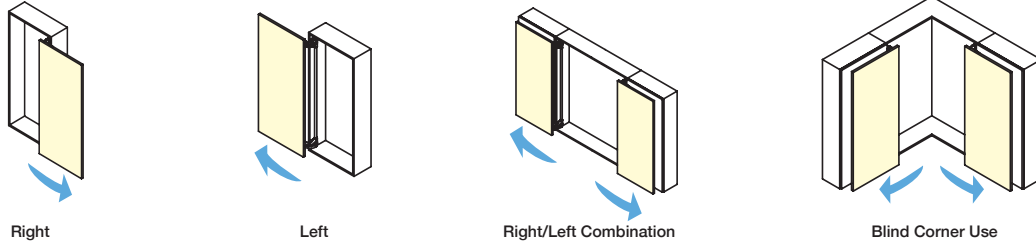
- **Lateral Opening Mechanism:** Allows doors to swing out laterally in a small radius, ideal for tight front space application.
- **4-Way Adjustable:** Vertical, horizontal, depth and parallel adjustment.
- **Smooth Movement:** Built-in dampers provide a smooth soft-closing movement.
- **Use in various applications:** Ideal for closet entryways, large pantry doors, storage, hidden rooms, etc. Can also be used on L shaped corner spaces.
- **Hardware is non-handed:** can be used for left- or right-opening doors.
- **Designed for overlay installation,** but can be installed flush with the surrounding cabinet or wall. Please contact customer service for details on inset installations.



Minimize opening clearance required with LIN-X800, compared to traditional swinging doors. When closed, the LIN-X door can be flush with the surrounding walls.

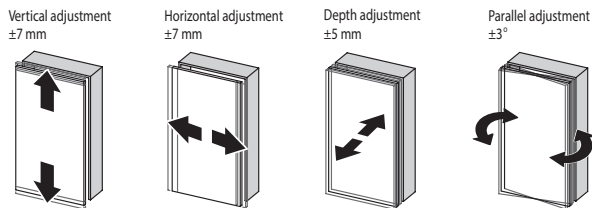


Installation Examples



Adjustability

Adjustable in vertical, horizontal, depth and parallel directions.

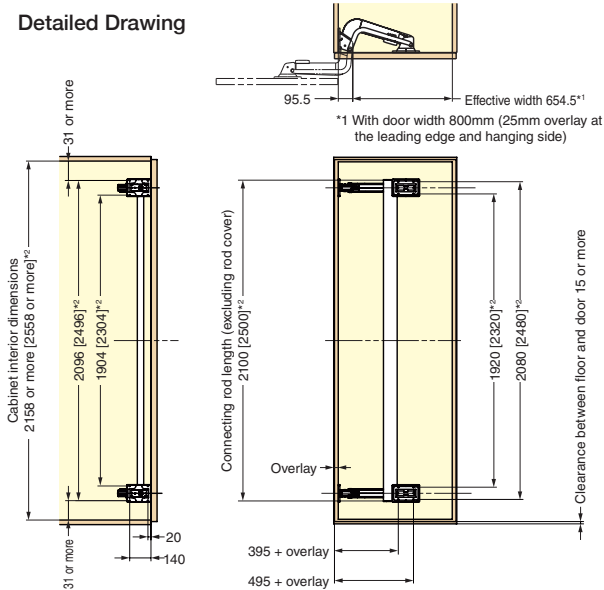


	LIN-X800	LIN-X800H
Door Width	750~850mm (29-1/2"~33-7/16")	
Max. Door Height	2400mm (94-1/2")	2980mm (117-5/16")
Door Thickness	24~40mm (15/16"~1-9/16")	
Max. Door Weight	40kg/door (88lbs/door)	

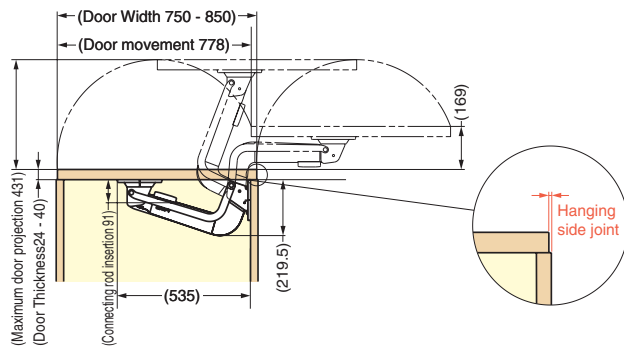
Item No.	Material	Weight (kg)	Finish
LIN-X800-WT-S	Steel, Aluminum	18kg (40lbs)	White
LIN-X800-BL-S			Black
LIN-X800H-WT-S		18.7kg (44lbs)	White
LIN-X800H-BL-S			Black

No.	Qty.	Parts in Set	Dimensions	Material	No.	Qty.	Parts in Set	Dimensions	Material
1	1 each	Hinge A		Steel, Plastic (POM) Finish: White, Matte Black	2	4 pcs	Washer cover (hanging side)		Plastic (ABS)
		Hinge B		Plastic (ABS)					
		Washer cover (leading edge)		Plastic (ABS)					
		Rod cover		Plastic (POM)					
5	1	Connecting Rod		Aluminium Alloy Finish: Anodised: Black/silver					
				Aluminium Alloy Finish: Anodised: Black/silver					

Detailed Drawing



Range of Motion



^{*2} The dimensions in [] indicate LIN-X800H specifications.

^{*2} For cabinet interior dimensions smaller than the minimum value, reduce the other dimensions marked with ^{*2} by an equivalent amount. The connecting rod must be cut by the customer.

Ideal for Walk-in closet, hidden shop storage, restaurant or ballroom bars as well as partition office doors.

