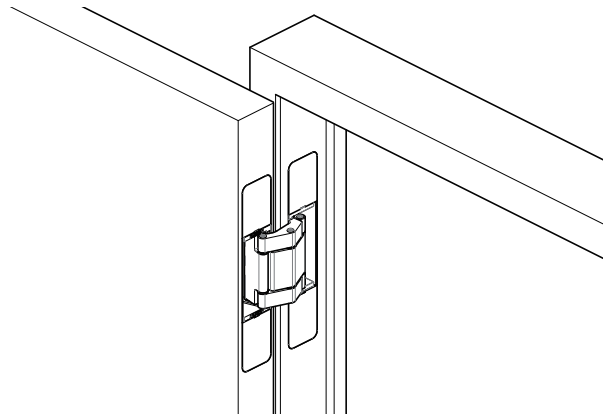


LAMP[®] INSTALLATION MANUAL FOR HES3D-W190 CONCEALED HINGE

Thank you for using our product. Before installation, please read this manual thoroughly to ensure correct installation. Please keep this manual at hand for future reference.



ABOUT THE PRODUCT

- This product is a concealed hinge for indoor use, that is recessed into the door and doorframe.
- Three dimensional adjustment function allows vertical, horizontal, and depth adjustment.
- UL certified - No. R38588

DOOR SPECIFICATION

Min. Door thickness	42 mm
Max. Door weight	100 kg per 2 hinges, 125 kg per 3 hinges
Max. Door size	Width: 915 mm, Height: 2440 mm

COMPONENT PARTS (PER BOX)







- Concealed hinge 2 pcs
- Screw cover 4 pcs × 2 bags
- Template 1 pc
- Countersunk head tapping screw 5×30 8 pcs × 2 bags
- Hex Key 4mm 1 pc

FOR YOUR SAFE WORK AND CORRECT INSTALLATION

Meaning of symbols

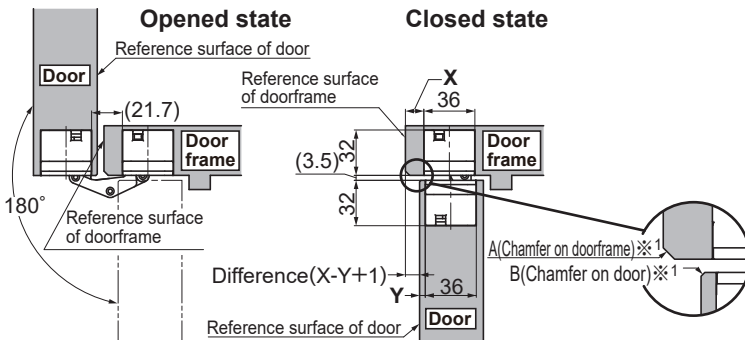
-  Warning Caution
-  Prohibited
-  Required

Caution: If not followed, injury or damage may result.

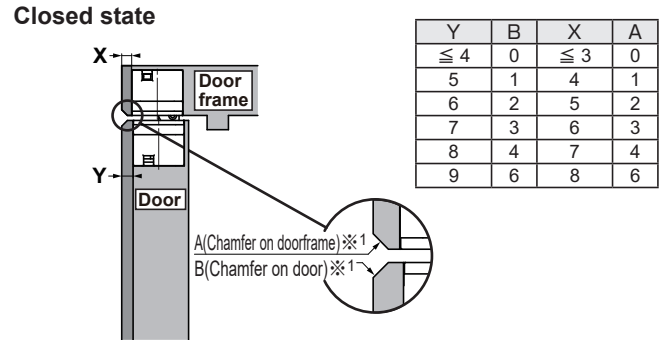
-  Provide a frame that can withstand the weight and impact of opening and closing the door. Be sure to use the specified screws and tighten them securely. If the mounting strength is insufficient, the door may fall and cause injury.
-  Do not use this product for any other purpose, or with doors that are outside the specifications of this manual.
-  Use in conjunction with a door closer is not recommended. For soft-close option, we recommend Sugatsune LDD-V100 door damper.
-  Follow the specified dimensions, specifications, and alignment of the door and frame. Warping, tilting or twisting of the frame or door may cause failure.
-  This product is a part for architectural fittings. After installation, please check the function and safety of the final product. Please inform the end user how to use the product safely.
-  Make sure to check the screws for slack at regular intervals (one month from first usage, half a year, and then one time every year is recommended).

INSTALLATION DRAWING (EXAMPLE)

[When door is offset from doorframe]



[When attaching decorative board on door and doorframe]



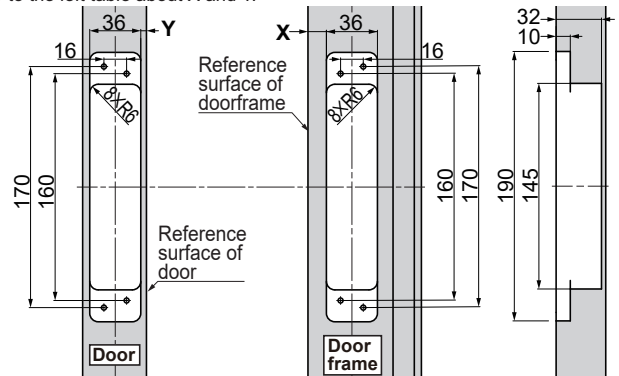
※ 1 Chamfer is needed depending on the amount of X and Y.

Y	B	X	A	Difference (X-Y+1)
3	0	3 - 12	0	1 - 10
		13	1	11
		14	2	12
		15	4	13
4	1	3 - 10	0	0 - 7
		11	1	8
		12	2	9
5	2	3 - 6	0	-1 - 2
		7	1	3
		8	2	4
		9	3	5
6	3	10	4	6
		11	4	7
		12	5	8
7	4	13	6	9

Y	B	X	A	Difference (X-Y+1)
3	0	3 - 6	0	-2 - 1
		7	1	2
		8	2	3
4	1	9	3	4
		10	4	5
		11	5	6
		12	6	7
5	2	3 - 6	0	-3 - 0
		7	1	1
		8	2	2
		9	3	3
6	3	10	5	4
		11	7	5
7	4	3 - 6	0	-4 - -1
		7	1	0
		8	3	1
		9	5	2
8	5	10	7	3

CUT OUT DRAWING FOR DOOR AND DOORFRAME

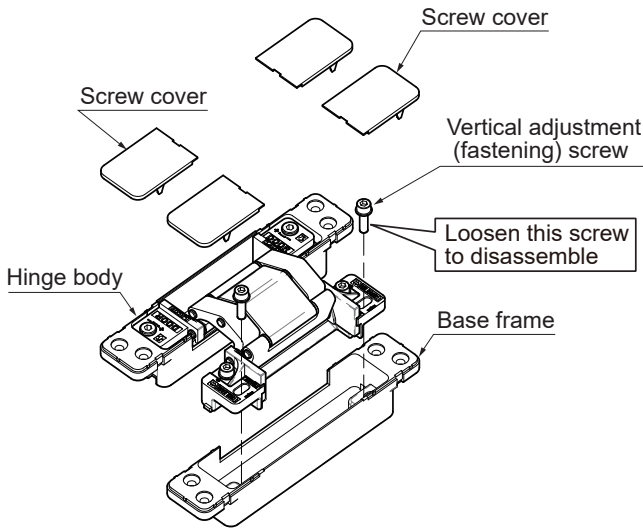
Refer to the left table about X and Y.



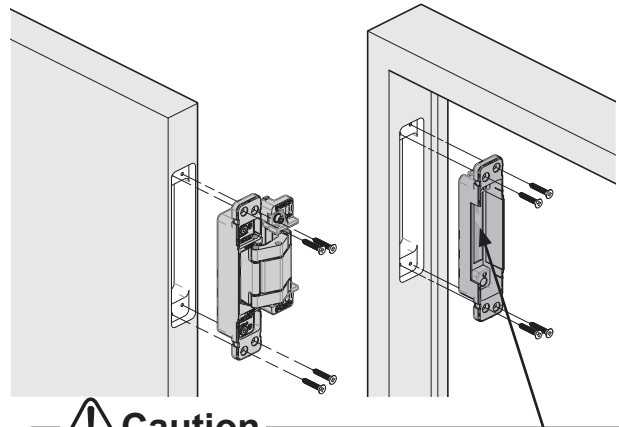
When not using the installation template HES3D-W190-TMP (sold separately) drill pilot holes at the installation screw locations.

INSTALLATION PROCEDURE

1 Disassembly of Hinge



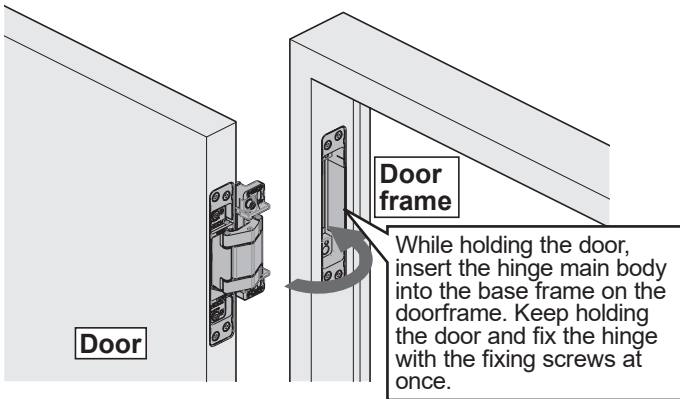
2 Installing Hinge to Door and Doorframe



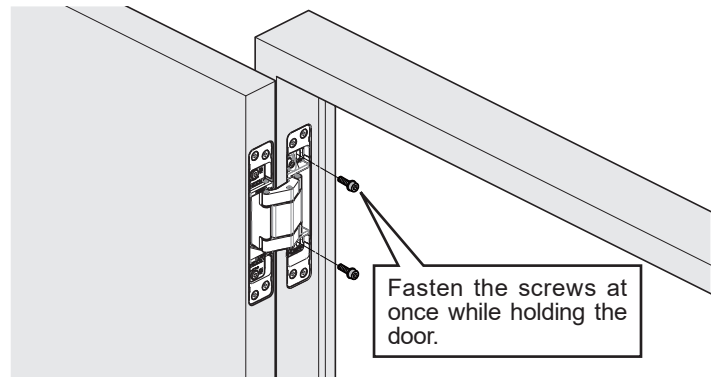
⚠ Caution

- Before installing base frame into the Doorframe, check that it is oriented correctly. If the orientation is incorrect, the door cannot be installed.

3 Hanging Door

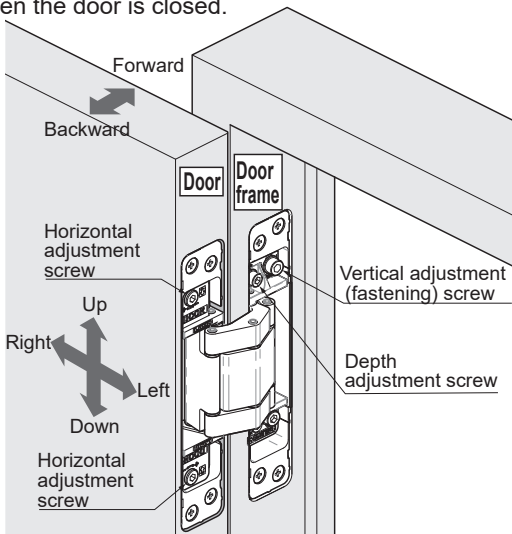


4 Fastening the Hinges



ADJUSTING DOOR POSITION

The arrows should point in the direction of adjustment when the door is closed.



- When adjusting the vertical position or the depth, loosen the screws, then hold the door at the suitable position and re-tighten the screws. Use wedges to support the door. (Tightening torque is 4.9 N·m.)
- When adjusting horizontal position, turn Horizontal adjustment screw. (There are two screws per hinge.)
The gap between Door and Frame will be expanded by turning the screw clockwise.

⚠ Caution

- Do not remove the depth adjustment screw. The door may fall and cause injury.
- When adjusting the horizontal position, turn the two screws a little, by the same amount. The hinge may be broken if you keep turning one screw only.
- Horizontal adjustment range is +3 mm/-2 mm. When turning the screw to the right, if you move the part more than 2 mm, the cover cannot be put on, since the part protrudes. If you still turn the screw, the door will fall.

- Put the screw covers on the hinges after the adjustment.

SUGATSUNE KOGYO CO.,LTD
Tokyo, JAPAN

Phone: +81 (0)3 3866 2260 E-mail:export@sugatsune.co.jp

SUGATSUNE KOGYO (UK) LTD
Reading, UK

Phone: +44 118 9272 955 E-mail:sales@sugatsune.co.uk

SUGATSUNE EUROPE GmbH
Düsseldorf, GERMANY

Phone: +49 211 53812900 E-mail:sales@sugatsune.eu

ISO9001(Japan Offices and Sugatsune America) and ISO14001(Chiba Production division and Logistics center), certified.

SUGATSUNE SHANGHAI Co., LTD
Shanghai, CHINA

Phone: +86 21 3632 1858 E-mail:lamp@sugatsune.com.cn

Guangzhou, CHINA

Phone: +86 20 6639 3552 E-mail:lamp@sugatsune.com.cn

SUGATSUNE KOGYO INDIA PRIVATE LIMITED
Mumbai, INDIA

Phone: +91 22 28314490/91 E-mail:sales@sugatsune.in

SUGATSUNE AMERICA, INC
California, USA

Phone: +1 310 329 6373 E-mail:sales@sugatsune.com

Chicago, USA

Phone: +1 312 461 1081 E-mail:chicagoshowroom@sugatsune.com.

SUGATSUNE CANADA, INC.

Phone: +1 514 312 5267 E-mail:support@sugatsune.ca