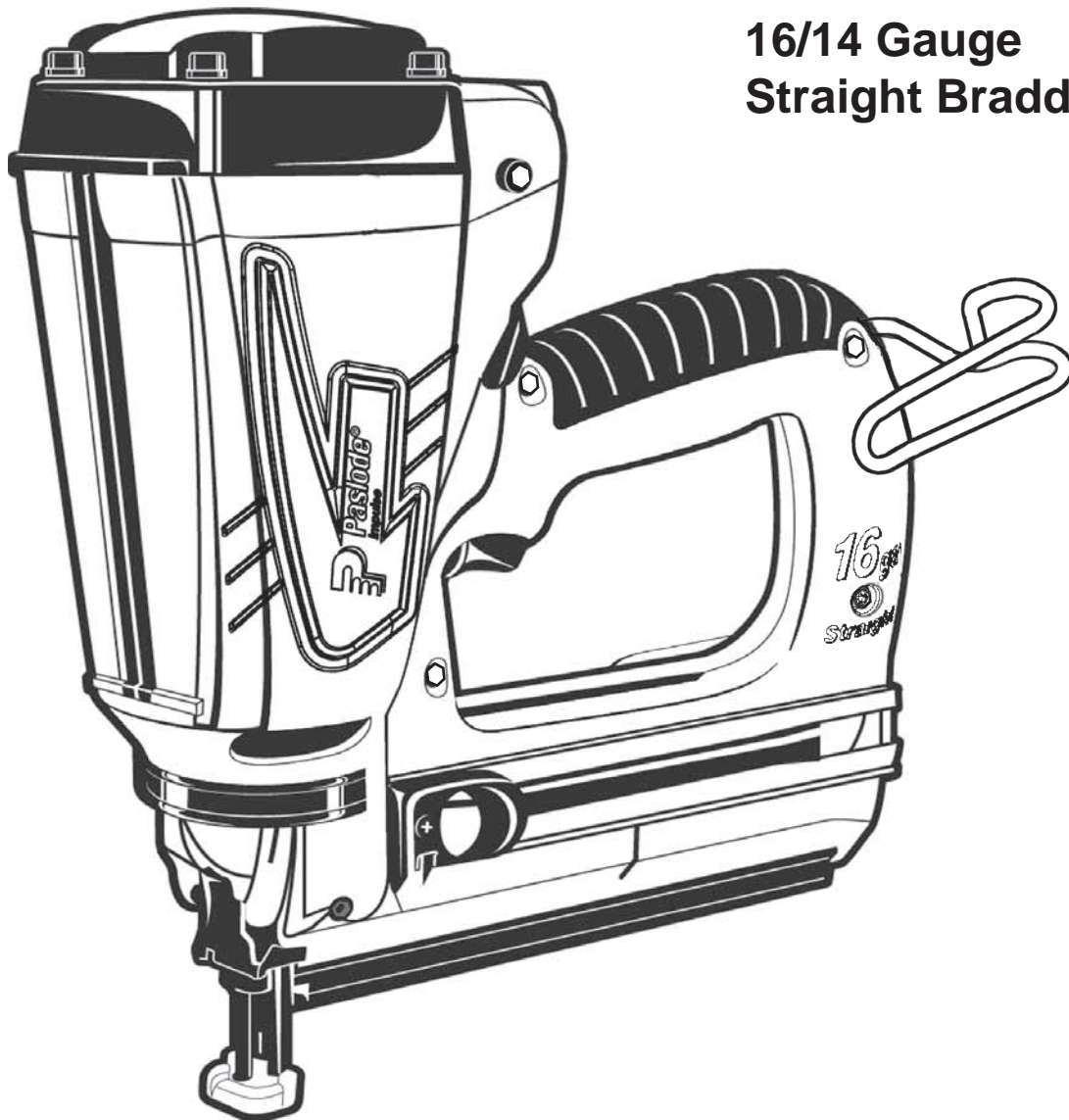




IM250S Li Impulse
16/14 Gauge
Straight Bradder
Part No. B20710

IM250S Li IMPULSE
16/14 Gauge
Straight Bradder



IMPORTANT!

DO NOT DESTROY

Always refer to operating manual for detailed information on this tool. It is the customer's responsibility to have all operators and service personnel read and understand this information.

TOOL SCHEMATIC AND PARTS

PARTS LEGEND Impulse 16/14 Gauge Lithium-Ion Straight Bradder, B20710

1	904555	1	Grille	50	903601	1	Handle/Right
* 2	900648	1	Filter	51	902230	1	Pin-Fuel Door
3	901064	4	Shoulder Screw 8-32 x 1-3/8"	52	904544	1	Dosing Lever
4	902446	1	Cap	53	904550	1	Fuel Door
5	904557	2	Screw, SHC (yellow)	54	902235	1	Retaining Ring-Fuel Door
6	901119	1	Retaining Ring	55	902434	1	Nut-Utility Hook
7	901382	1	Fan Motor Assembly with Ring	56	902433	1	Button
* 8	401356	1	Motor Sleeve	57	902431	1	Block-Utility Hook
9	900785	1	Insulator	58	902432	1	Spring
*10	900714	1	Spark Plug Assembly	59	902435	1	Stop Utility Hook
11	904504	1	Cylinder Head	60	902430	1	Utility Hook
12	904517	1	Fuel Barb	61	901044	1	Soft Grip
*13	904546	1	Fuel Tube	62	902440	1	Spark Unit (MSU)
14	902406	1	Fuel Block	63	900662	1	ESU Power Wire Assembly
15	904521	1	Pivot Arm	64	904562	1	Fan Motor Wire Assembly
16	900596	1	SEMS Screw, Torx	65	903611	1	Nameplate
17	900739	1	Cylinder Head Circuit Board Assy.	66	902621	1	Battery Pad
*18	900612	4	Seal Ring	67	902439	1	Molded Circuit Assembly
19	900709	1	Fan Assembly	68	900726	1	Switch Slide Assembly
20	900700	1	Air Dam	69	900792	2	Soc. Hd. Shoulder Screw (yellow)
21	900729	1	Combustion Chamber	70	404702	2	Screw 6-32 x 3/8'
22	900707	2	Probe Bumper	71	904567	1	Spark Wire Assembly
23	900746	2	Screw, #8-32 x 7/16	72	901053	1	Trigger Spring
24	900704	1	Yoke	73	901082	1	Trigger and Spring Assembly
25	900734	1	Roll Pin	74	901047	1	Dowel Pin, Trigger
26	900804	2	Spring Guide Assembly	75	900629	1	Clip/ High Tension
27	902437	1	Knob w/ Yoke Guide Assembly	76	902007	1	Brad Channel
■ 28	903603	1	Probe	77	902033	1	Magazine Extrusion
*29	900702	1	Probe Tip	78	902001	1	Nose
30	900688	1	Latch Cover, Quick Clear	79	900631	1	Spring, Lockout
31	900619	1	Dowel Pin	80	900602	1	Lockout Bar
32A	902047	1	Front Plate C Series	81	900630	1	Lockout Pin
32B	902048	1	Front Plate ND Series	G-82	900660	2	Screw 10-32 x 3/8"
33	900685	1	Dowel Pin	83	900692	1	Retaining Cup
34	900786	1	Quick Clear Lever Assembly	84	900708	2	SHC Screw 8-32 x 1/2" (Red)
35	405140	4	Screw 8-32 x 3/8" (red)	85	900754	1	SHC Screw 8-32 x 1/2" (Yellow)
36	900668	1	Muffler Cover	86	900722	1	Follower Pin
37	900609	1	Muffler	87	902002	1	Follower
38	900664	1	Reed Valve	88	900691	1	Compression Spring
39	900665	1	Reed Plate	89	900627	1	Negator Spring
40	901089	1	Exhaust Baffle	90	900720	1	Follower Core
* 41	900616	1	Exhaust O-Ring	91	902008	1	Follower Body
42	403099	1	Retaining Ring	92	900724	1	Screw, Plastite 8-16 x 5/8"
43	403098	1	Piston Ring	93	901066	4	Screw, Plastite 8-16 x 3/4"
*44	900728	1	Piston Assembly	94	903505	1	Logo Label "Right Side"
*45	900680	1	Piston Bumper	95	903506	1	Logo Label "Left Side"
46	902402	1	Label, Li-Ion+Fuel	96	903602	1	Handle, Left
**47	903604	1	Warning & Instruction Label	97	902456	1	Cylinder Sleeve Assembly
48	902416	1	Depth of Drive Indicator Label	98A	B20544T	1	C Series Swap'n' Lock Kit
49	900620	1	Front Channel	98B	B20544U	1	ND Series Swap'n' Lock Kit

* Indicates normal wear items

** Make sure Warning Label (903604) is properly affixed replace if necessary.

→ Denotes New Change

■ Apply Grease Part No. 900767 to Threads.

G-Apply Loctite RC-620 (Green)

SAFETY INSTRUCTIONS

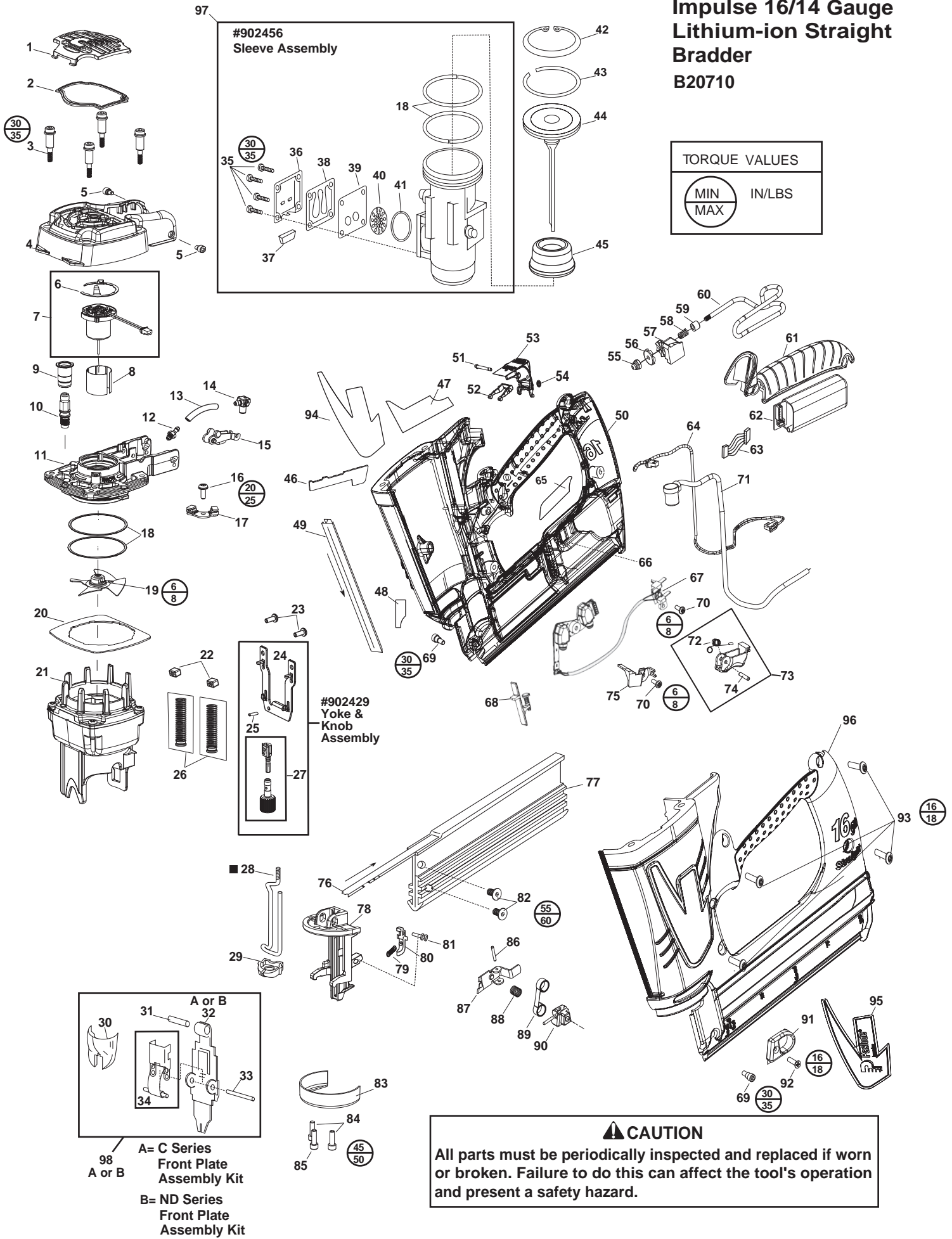
WEAR EYE AND HEARING PROTECTION



Always wear eye and hearing protection when operating a nail tool.

Impulse 16/14 Gauge Lithium-ion Straight Bradder B20710

TORQUE VALUES	
MIN	IN/LBS
MAX	



CAUTION
All parts must be periodically inspected and replaced if worn or broken. Failure to do this can affect the tool's operation and present a safety hazard.

A or B
A or B
A= C Series
Front Plate
Assembly Kit
B= ND Series
Front Plate
Assembly Kit

ACCESSORIES

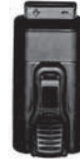
Car Adaptor

Enables you to re-charge your battery with your vehicle's electrical system.



Part No. B20543E

Battery

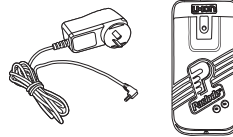


Part No. B20543A

Battery Charger Kit

New Zealand only. In Australia, please contact Paslode directly.

(Replacement Transformer Only, Part No. B20543C)



Part No. B20543B

Degreaser Cleaner

Ideal cleaner for all Paslode® tools.



Part No. B20544L

Paslode Lubricating Oil



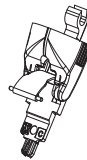
Part No. B20544F

Carrying Case

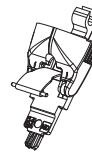


Part No. 902445

SWAP-N-Lock Nose Plates



C Series
(Black)



ND Series
(Silver)

Part No. B20544T
(C Series)

Part No. B20544U
(ND Series)



PO Box 914
Ingleburn, 1890
www.paslode.com.au



PO Box 100303, NSMC
Auckland, New Zealand
www.paslode.co.nz