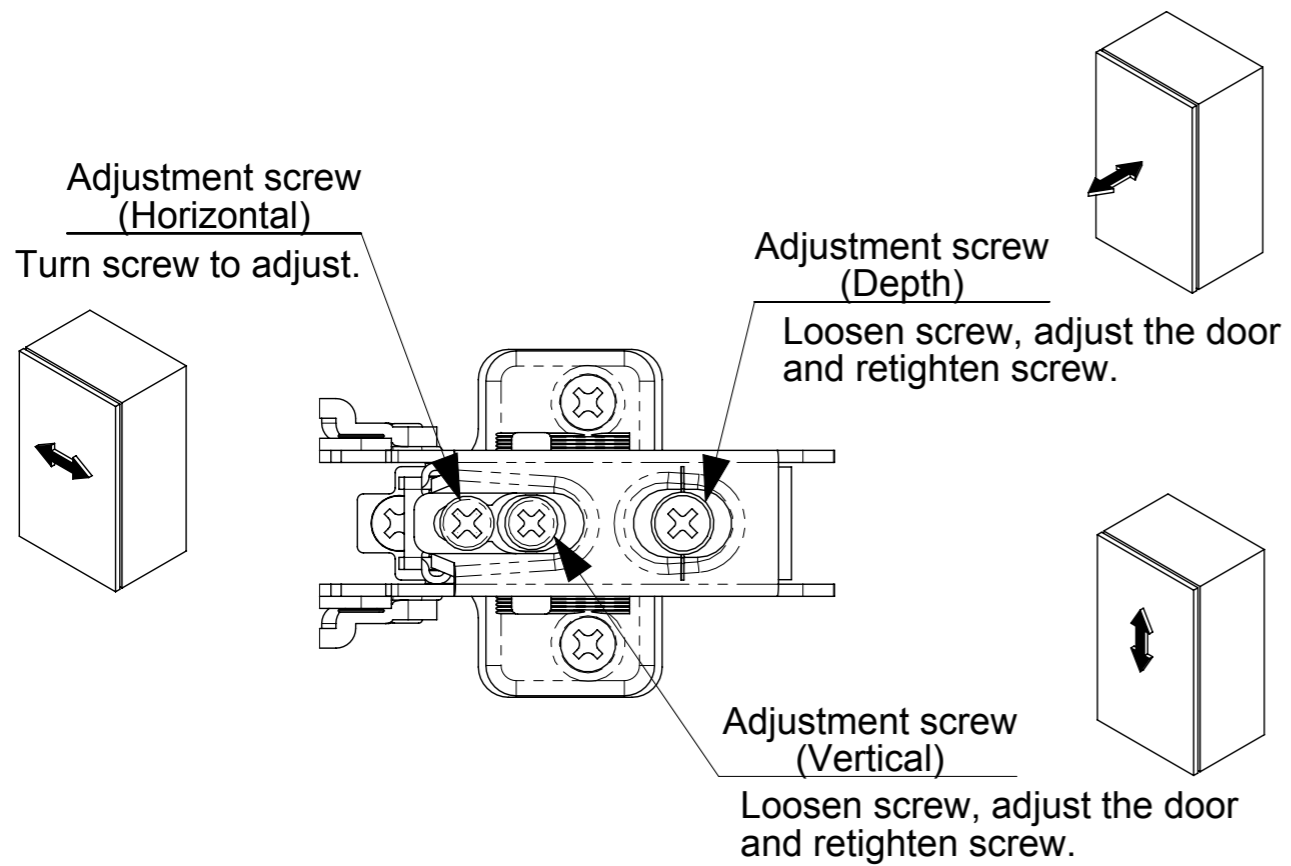
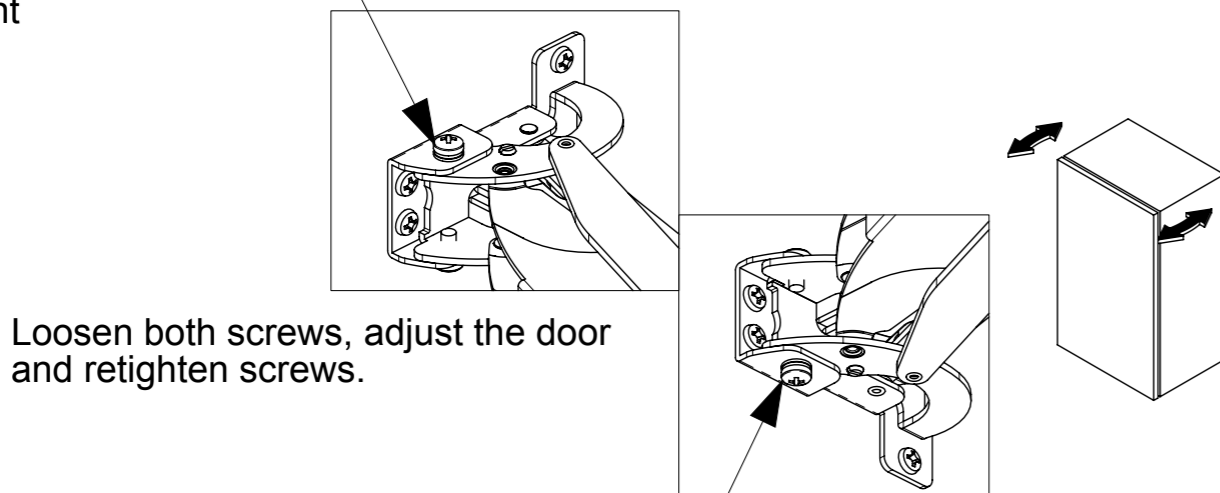


■ Adjustments



Leveling adjustment screw
Front



Leveling adjustment screw
Back

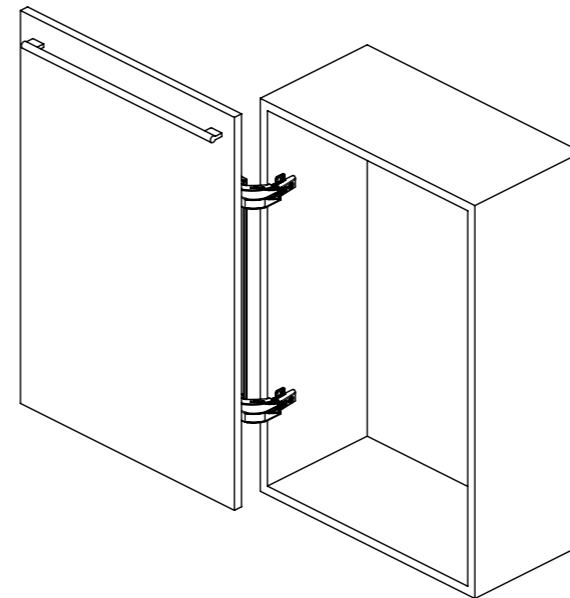
SUGATSUNE KOGYO CO.,LTD. Phone: +81 (0)3 3866 2260 Fax: +81 (0)3 3866 4447 E-mail: export@sugatsune.co.jp Website: www.sugatsune-intl.com	SUGATSUNE KOGYO (UK) LTD. Phone: +44 (0)1491 680737 Fax: +44 (0)1491 60762 E-mail: sales@sugatsune.co.uk Website: www.sugatsune.co.uk	SUGATSUNE AMERICA, INC. Phone: +1 310 3296373 Fax: +1 310 3290819 E-mail: sales@sugatsune.com Website: www.sugatsune.com	SUGATSUNE SHANGHAI CO., LTD. Phone: +86 (0)21 3632 1858 Fax: +86 (0)21 3632 1868 E-mail: lamp@sugatsune.com.cn Website: www.sugatsune.com.cn
--	--	---	---

2010.01 PRINTED IN JAPAN 0462-1

Thank you for purchasing this MonoFlat LIN-X hinge by SUGATSUNE. Before proceeding with the installation, please read this instruction manual carefully for the best possible result and ensure your safety.

WARNING

- Failure to observe the following precautions may result in injury and/or lead to damage to surrounding cabinets or fittings.
- Choose suitable screws to ensure of proper installation of the cabinet and door.
- Ensure that door size, weight and material correspond to the specifications stated in this manual.
- Do not disassemble or modify the system.



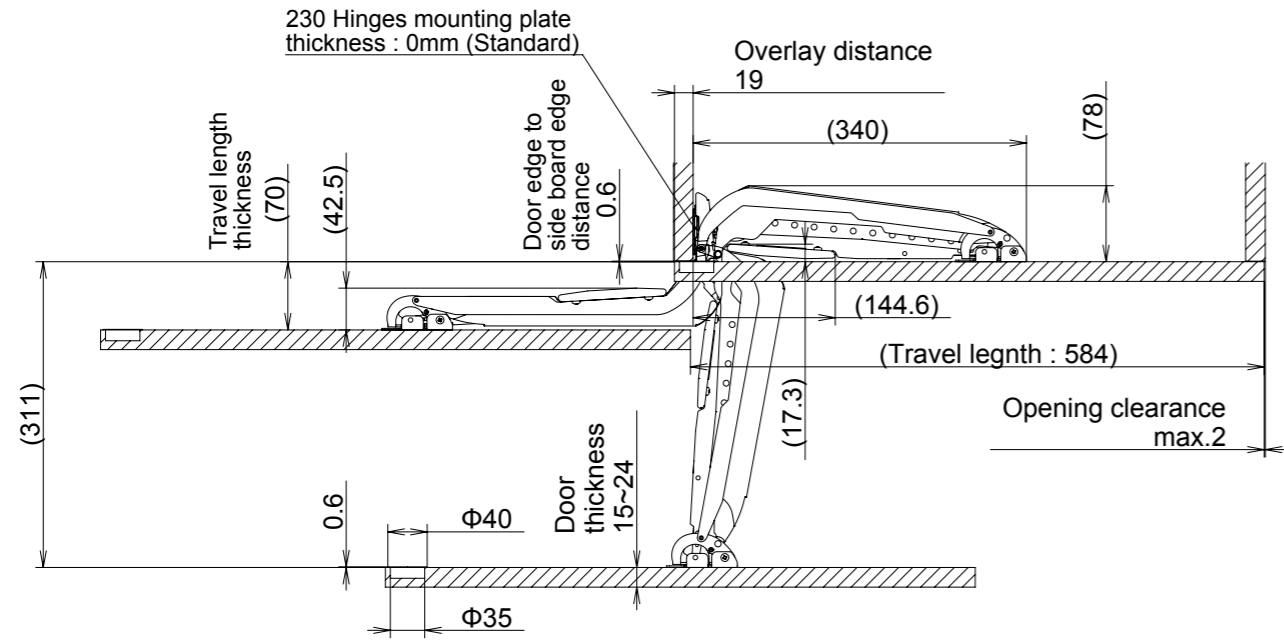
■ Product Specification

Door width	550 ~ 650 mm
Door height	600 ~ 900 mm
Door thickness	15 ~ 24 mm
Door weight	MAX 9 kg (per door)

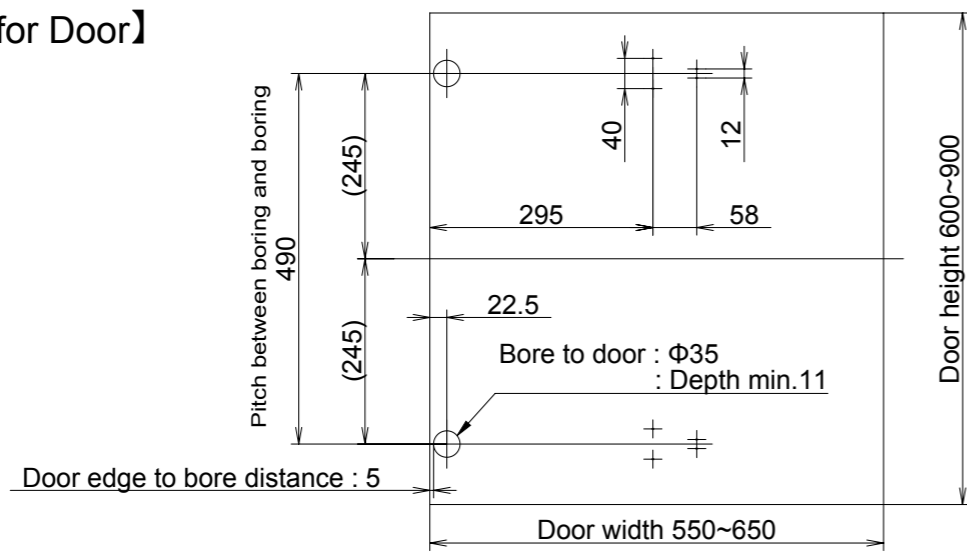
■ Parts List

① LIN-X body 2 pcs. 	② Mounting plate 2 pcs. 	③ Connecting plate 1 pc. L=540mm
④ Connecting plate cover 2 pcs. 	⑤ Cup cover 2 pcs. 	⑥ Countersunk head tapping screw 3.5x15 6 pcs.
		⑦ Binding & tapping screw 3.5x15 8 pcs.

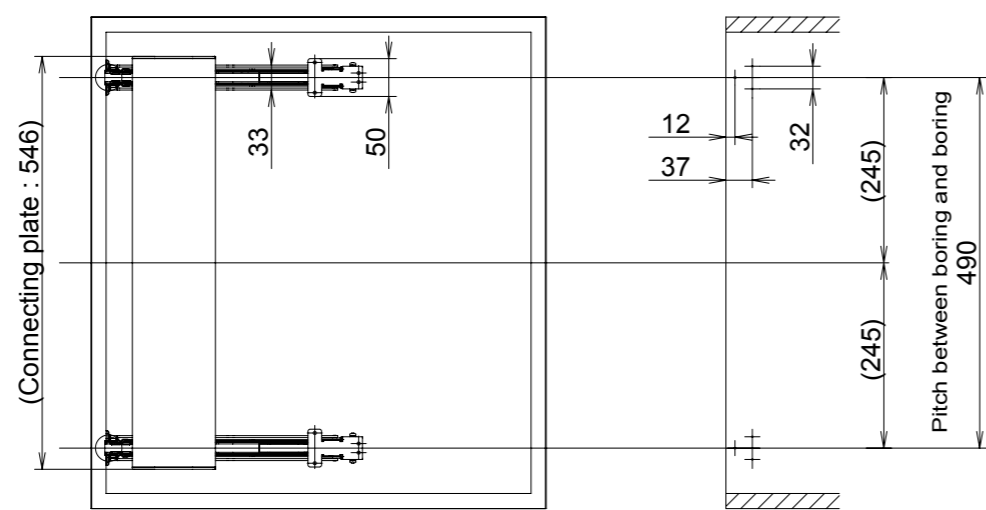
● Picture shows the left hand door use. (Right hand door use is symmetrical.) [unit:mm]



【Installation position for Door】

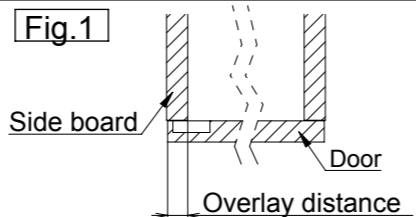


【Installation position of mounting plate for cabinet side board】



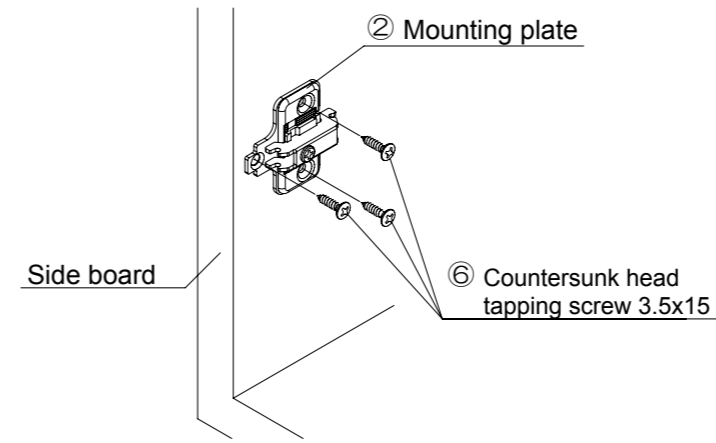
● Side overlay as shown in Fig.1 is:

19 mm for 230 Hinges mounting plate thickness : 0 mm (Standard)
 14 mm for 230 Hinges mounting plate thickness : 5 mm

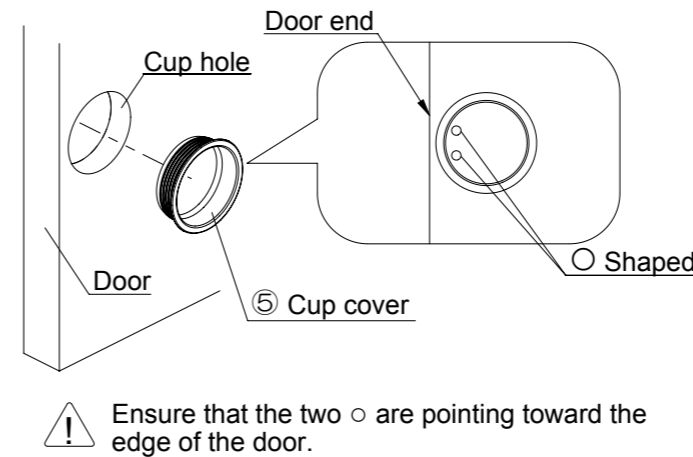


■ Installation

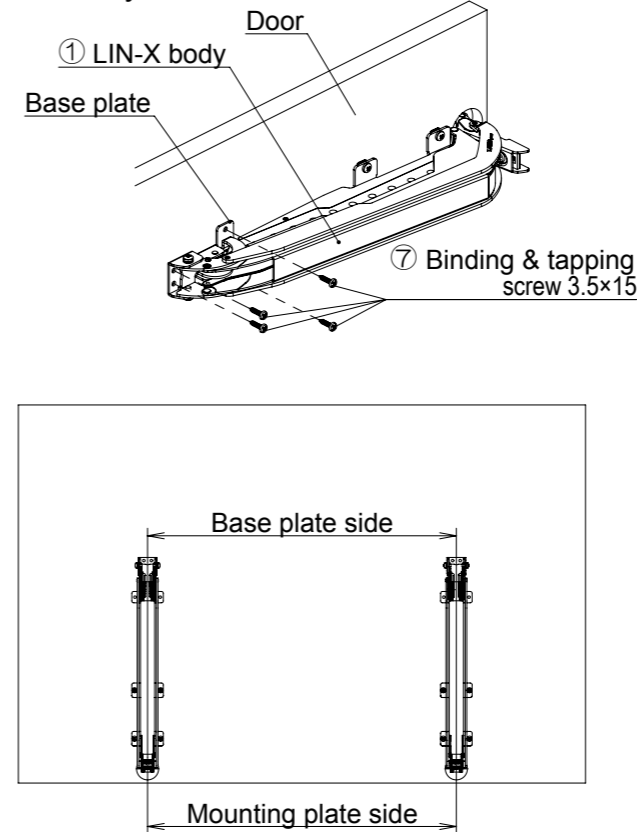
1 Mounting plate installation:



2 Cup cover installation:

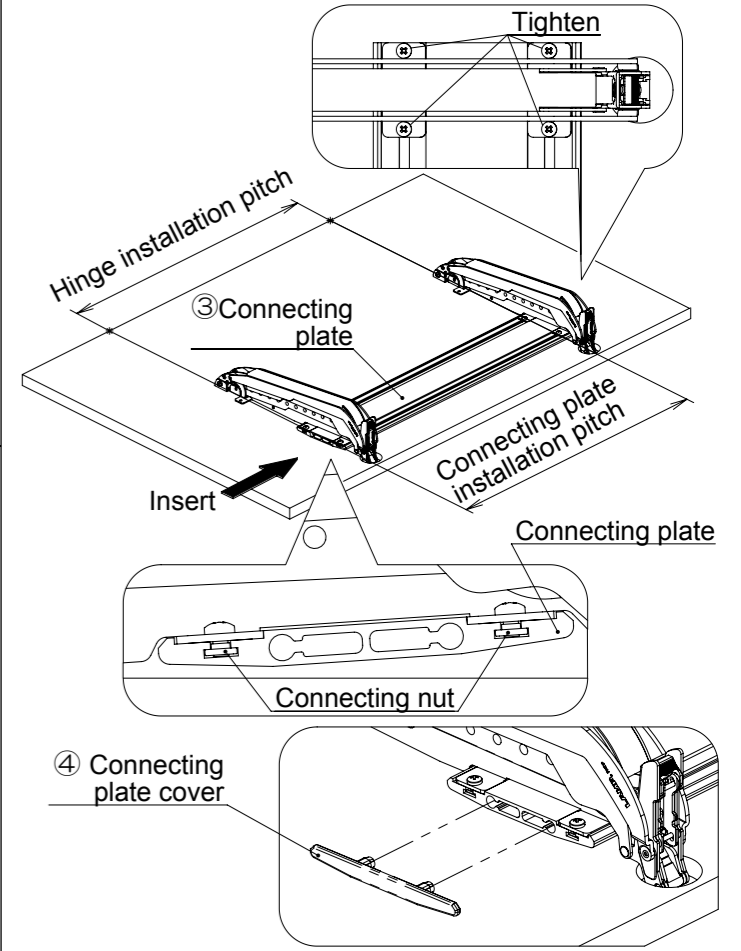


3 LIN-X body installation:



! Ensure that the two LIN-X bodies are parallel by measuring both the base and mounting plate distances.

4 Connecting plate installation:



5 Door installation:

