

Installation Manual

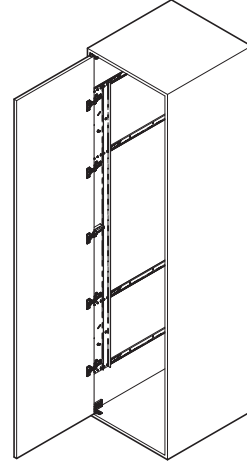
ALT-ST20-D10

POCKET DOOR SYSTEM (OVERLAY) SOFT CLOSING

Thank you for selecting our product. Before starting installation, please read this manual thoroughly to ensure correct installation. Please keep this manual at hand for future reference.

ABOUT THE PRODUCT

- This product is hardware for vertical pocket doors in furniture, enabling slow door closing.
- The door is stored inside the cabinet.
- The door incline can be easily adjusted via a 5-stage angle retention mechanism.



SPECIFICATION

Type	S	M	L	LL
Rail Q'ty	2	3	4	4
Door Width	Max. 600 mm			
Door Height	800 - 1200 mm	1200 - 1600 mm	1600 - 2000 mm	2000 - 2400 mm
Door Thickness	18 - 20 mm			
Door Weight	Max. 9 kg	Max. 15 kg	Max. 20 kg	Max. 20 kg

Item Name Guide

ALT - ST20 - D10S - 16

Type |
Size of rail |



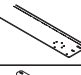
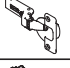
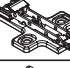

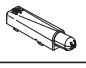
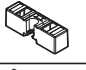
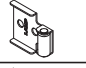
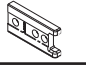
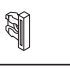


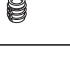

FOR YOUR SAFETY AND CORRECT INSTALLATION

Caution Prohibited Required

Caution If not followed, injury or damage may result.

- Provide a cabinet that can withstand the weight and impact of opening and closing the door. Be sure to use the specified screws and tighten them securely. If the mounting strength is insufficient, the door may fall and cause injury.
- Follow the specified dimensions, specifications, and alignment of the cabinet. Make sure that the cabinet is not warped, since it may affect the movement of the door.
- Position the handle so that the hand holding the handle does not strike the side board.
- When moving the cabinet, remove the door and re-assemble it at the site.
- This product is a part for furniture. After installation, check the function and safety of the final product.
- Make sure to check the screws for slack at regular intervals. (one month and six months from first usage and then once every year is recommended).
- Be sure to inform users of the precautions below regarding opening and closing.**
 - Do not force the door to open past 90°. Damage may result.
 - When closing the door, pull it out until the catch clicks and then close it.
 - Repeated opening and closing may cause the inner rail to come off, shortening the door movement distance. Push the door fully inward or pull it fully out to correct the deviation.

COMPONENT PARTS/QUANTITY

				Overlay (ST20-D10)				
				S Type	M Type	L Type	LL Type	
①	Rail※ ¹		 AL127C 16 - 28 inches	2	3	4	4	
②	Connecting plate	Connecting plate	 ALT-ST20-S ALT-ST20-M ALT-ST20-L ALT-ST20-LL	1	1	1	1	
		Adjustment bracket	 ALT-ST20-LP	1	1	1	1	
③	Concealed hinge		 SCAF-7G99	2	3	4	5	
④	Hinge mounting plate		 SBAR3R	2	3	4	5	
⑤	Mounting plate		 ALT-MP32	2	3	4	5	
⑥	Damper unit		 SD0S8SNG	1	1	1	1	
⑦	Damper base		 SDARX99	1	1	1	1	
⑧	Door stopper		 ALT-ADS	2	3	3	3	
⑨	Protector		 ALT-ADP	2	2	2	2	
Parts Set	⑩	Catch※ ²		 AL127-CH	2	2	3	3
	⑪	Roller		 DU19-B4SBR	2	2	2	2
	⑫	Roller bracket	 ALT-2V-AB	1	1	1	1	
			ALT-2V-BB	1	1	1	1	
	⑬	Insert nut		 SC-107-13	2	2	2	2
	⑭	Slider		 G-175	2	2	2	2
	⑮	ALT-AB- M5 Adjustment bolt			1	2	2	2
	⑯	Bind head tapping screw 3.5×15			22	29	36	36
	⑰	Bind head tapping screw 4×16			6	6	6	6
	⑱	Raised countersunk head tapping screw 3.5×15			4	6	8	10
	⑲	Hexagon flange head screw M4×6			10	15	20	20
	⑳	Low countersunk head screw M4×8			2	3	4	5
	㉑	Raised countersunk head screw M4×10			4	6	8	10
㉒	Countersunk head screw M4×14			1	1	1	1	
㉓	Hex key			1	1	1	1	

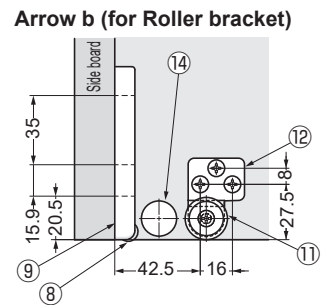
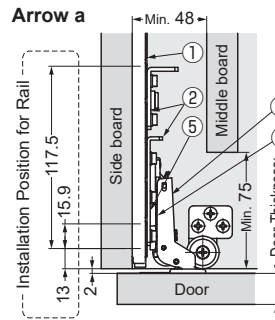
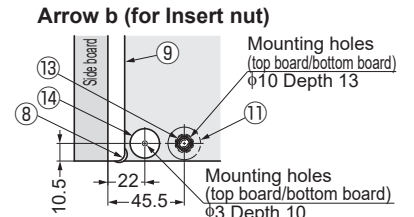
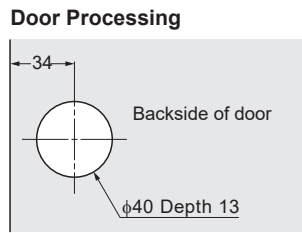
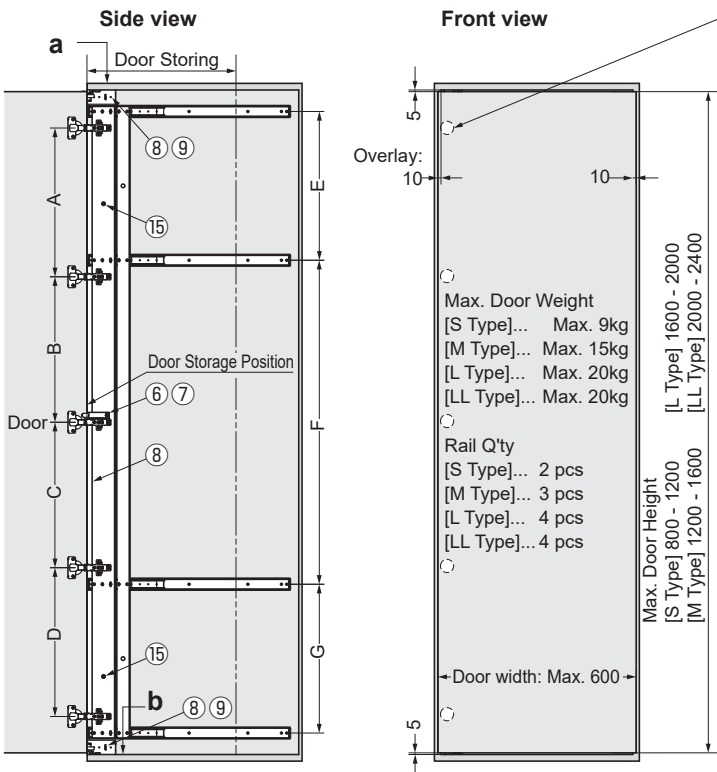
※¹ Do not cut rails. Rail sizes (inches) include 16, 19, 22, 24, and 28.

※² This catch holds the door at the pulled-out position. Be sure to mount it on the uppermost and lower slide rails

(For details, see P.4 **3**).

DIMENSIONS: OVERLAY ※Description is for left-handed product.

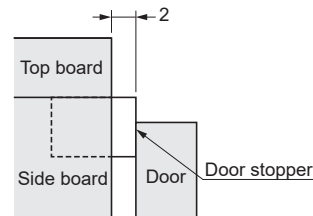
Rail Size	Door Storing	Cabinet Depth
16	268	Min. 420
19	344	Min. 496
22	420	Min. 572
24	471	Min. 623
28	573	Min. 725



Caution
 Make middle board removable for maintenance.

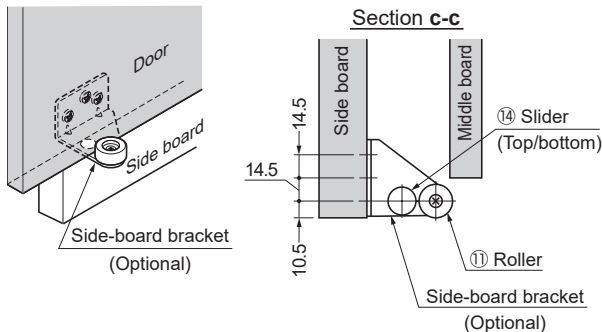
Type	Hinge pitch				Rail pitch		
	A	B	C	D	E	F	G
S Type	580	-	-	-	680	-	-
M Type	490	490	-	-	590	490	-
L Type	500	380	500	-	500	480	500
LL Type	450	440	440	450	450	980	450

For double doors



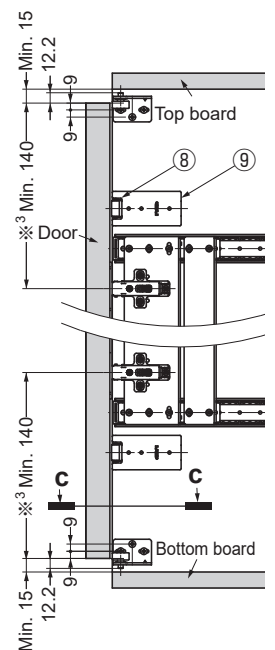
※Install a door stopper so as to create a 2mm gap.

Fixed on the side board



The applicable door height varies depending on the number of brackets used and the dimensions marked with ※³.

	S Type	M Type	L Type	LL Type
When both upper and lower side-board bracket are used	860 ~ 1260	1260 ~ 1660	1660 ~ 2060	2060 ~ 2400
When using a side-board bracket on either the top or bottom	830 ~ 1230	1230 ~ 1630	1630 ~ 2030	2030 ~ 2400



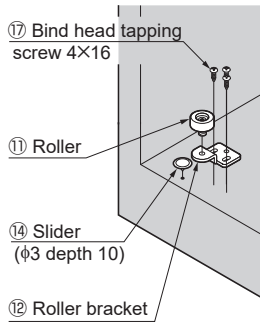
Item Name	Installation Position
ALT - 2V5BR1	For Lower Right and Upper Left
ALT - 2V5BR2	For Upper Right and Lower Left

INSTALLATION PROCEDURE ※Description is for left-handed product, LL type.

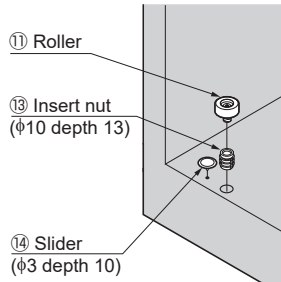
1 Mounting the insert nut, roller, and slider

■ Fixed on the top and bottom boards

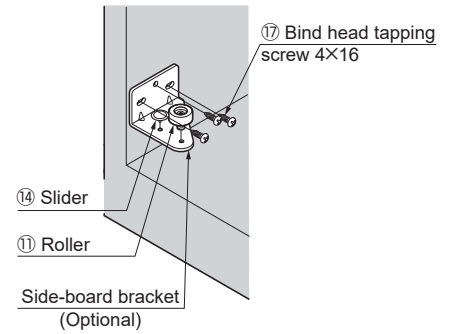
<Use roller bracket 12>



<Use insert nut 13>

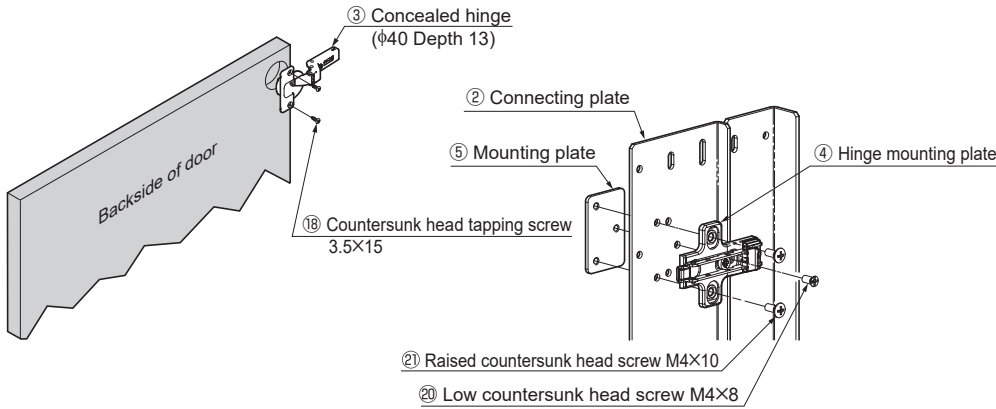


■ Fixed on the side board

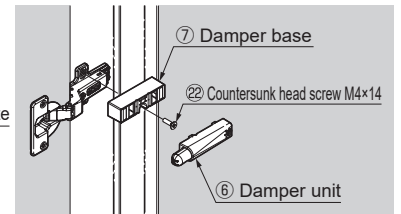


※Mount symmetrically on the top board as well.

2 Mounting the concealed hinge, hinge mounting plate, mounting plate, damper base, and damper unit



Mount the damper base and damper unit in the specified position.



Type	S	M	L	LL
Hinge mounting plate Q'ty	2	3	4	5
Damper base Mounting location [■ part]				

3 Temporarily fastening the slide rail and mounting the door stopper and protector

1 Mount catch 10

10 Catch
Functions when pulled fully out.

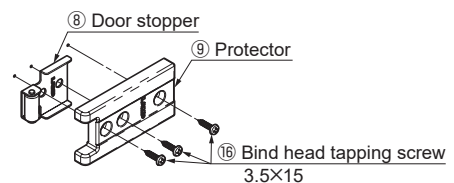
Type	S	M	L	LL
Rail Q'ty	2	3	4	4
Catch Q'ty	2	2	3	3
Catch mounting location [■ part]				

2 Temporarily fasten all rail ends (outer and inner)

Screws: 16 Bind head tapping screw 3.5×15

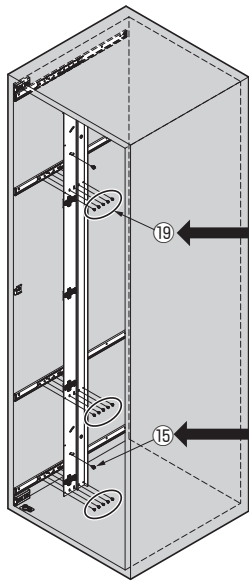
3 Mount the door stopper and protector

For the mounting position, see P.3.



※ Mount the protector at the top and bottom edges of the cabinet.

4 Temporarily fastening connecting plates

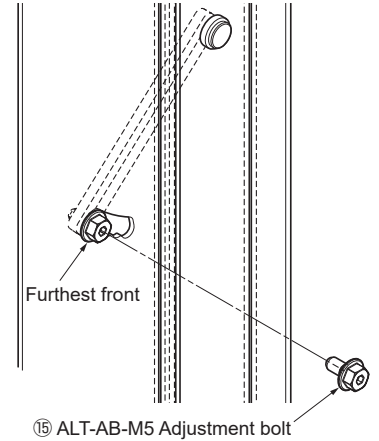


1 Temporarily fasten
all rails to connecting plates

Screws: ⑱ Hexagon flange head screw M4×6

2 Temporarily fasten
⑮ Adjustment bolts (1 - 2 pcs)

(After tightening, loosen 90° - 180°)



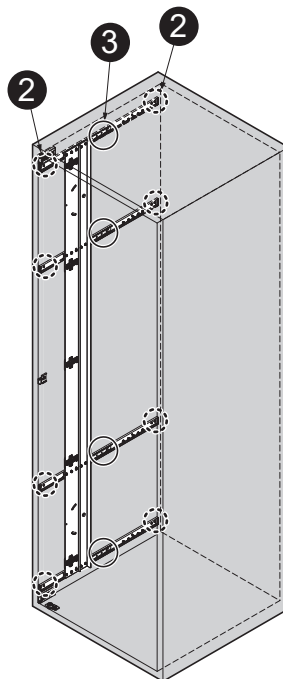
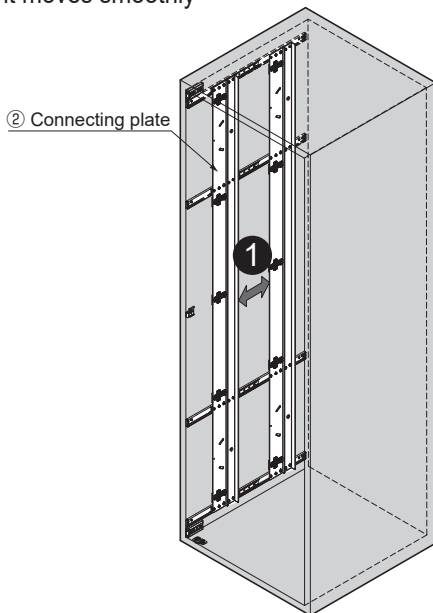
5 Rail fixing

1 Move the connecting plate from the front to the back, adjusting all the screw positions so that it moves smoothly

2 Tighten the  part (both ends)

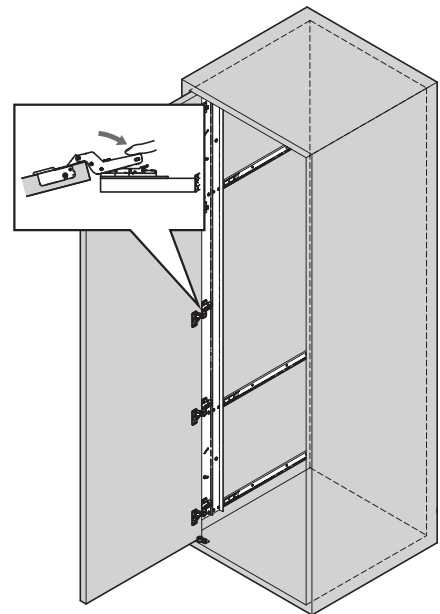
3 Fasten all the  parts (near centre)

Screws: ⑲ Bind head tapping screw 3.5×15

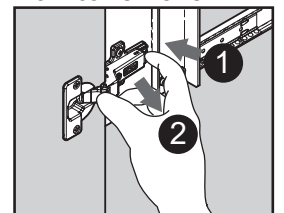


6 Hanging door

Push the hinge into the hinge mounting plate

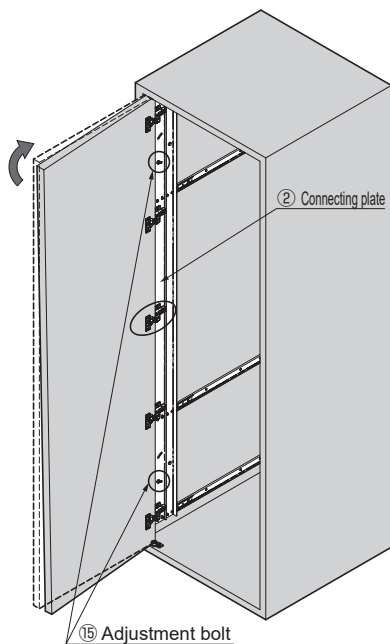


How to remove



7 Adjusting the door

Adjustment method

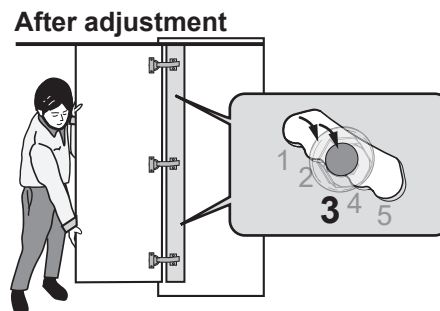
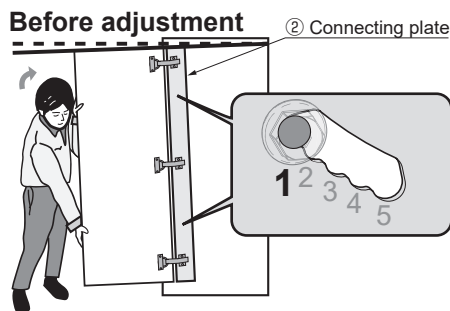
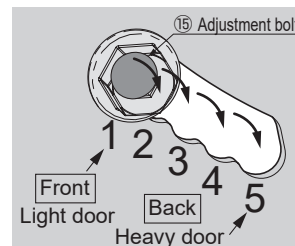


① Check that the screws fixing the connecting plate and the adjustment bolts are loose.

② Lift the door and shift the adjustment bolt backward one level at a time, to make the door and connecting plate vertical.

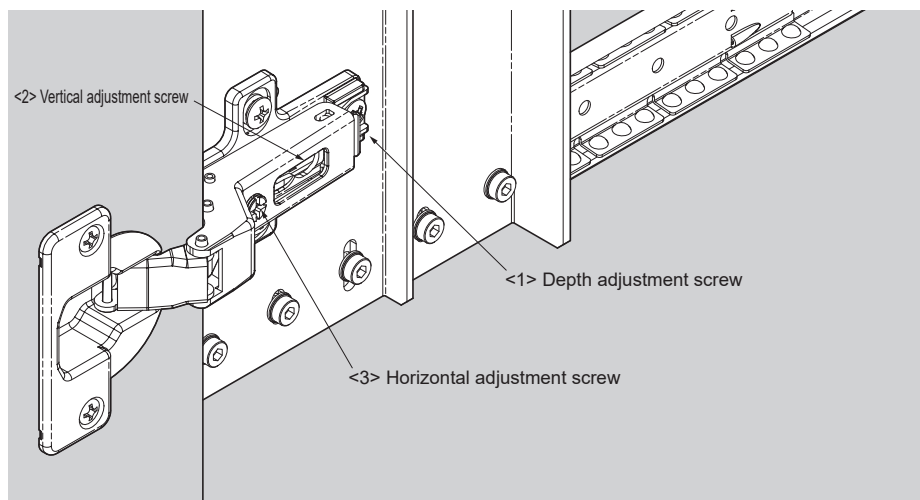
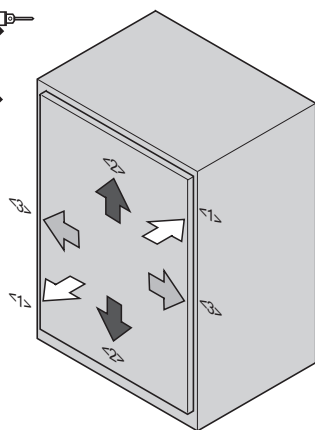
5-stage adjustment is possible in accordance with the door weight.

※When there are adjustment bolts at top and bottom, align their positions.

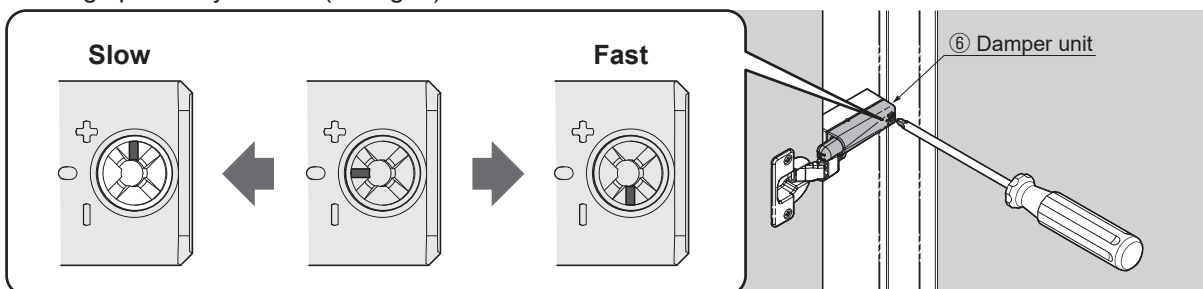


③ Tighten all the temporarily fastened screws.

8 Door depth, vertical, horizontal, and closing speed adjustment



Closing speed adjustment (3 stages)



6

SUGATSUNE KOGYO CO., LTD.
Tokyo, JAPAN
Phone: +81 3 3866 2260
E-mail: export@sugatsune.co.jp

SUGATSUNE KOGYO (UK) LIMITED
Reading, UK
Phone: +44 1189 272 955
E-mail: sales@sugatsune.co.uk

SUGATSUNE EUROPE GmbH
Düsseldorf, GERMANY
Phone: +49 211 53812 900
E-mail: sales@sugatsune.eu

SUGATSUNE AMERICA, INC.
California, USA
Phone: +1 310 329 6373
E-mail: sales@sugatsune.com

Chicago, USA
Phone: +1 630 317 7072
E-mail: sales@sugatsune.com

SUGATSUNE CANADA, INC.
Montreal, CANADA
Phone: +1 514 312 5267
E-mail: support@sugatsune.ca

SUGATSUNE SHANGHAI CO., LTD.
Shanghai, CHINA
Phone: +86 21 3632 1858
E-mail: lamp@sugatsune.com.cn

Guangzhou, CHINA
Phone: +86 20 6639 3554
E-mail: lamp@sugatsune.com.cn

SUGATSUNE KOREA CO., LTD.
Incheon, KOREA
Phone: +82 32 220 0603
E-mail: sales@sugatsune-korea.co.kr

SUGATSUNE KOGYO INDIA PRIVATE LIMITED
Mumbai, INDIA
Phone: +91 9867299597
E-mail: sales@sugatsune.in
Delhi, INDIA
Phone: +91 9867299597
+91 11 45093636
E-mail: sales@sugatsune.in