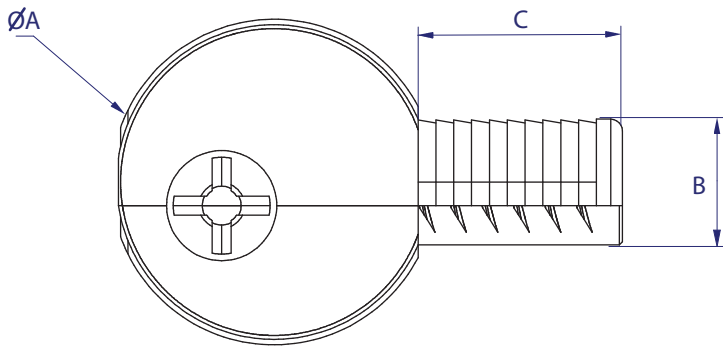
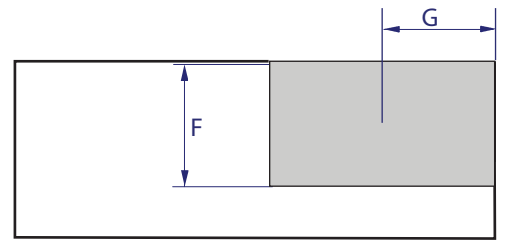


SPECIFICATION

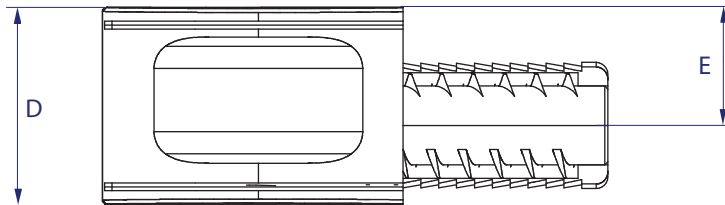


EDGE BORING MEASUREMENTS



F = Minimum Depth 12.5mm
 G = Centre Distance From Edge 9.5mm

Measurements



| Millimetres | |
|-------------|-------|
| A | 20 |
| B | 8 |
| C* | 12.5* |
| D | 12.5 |
| E | 7.5 |

*Minimum Recommended Bore Depth is 13mm

